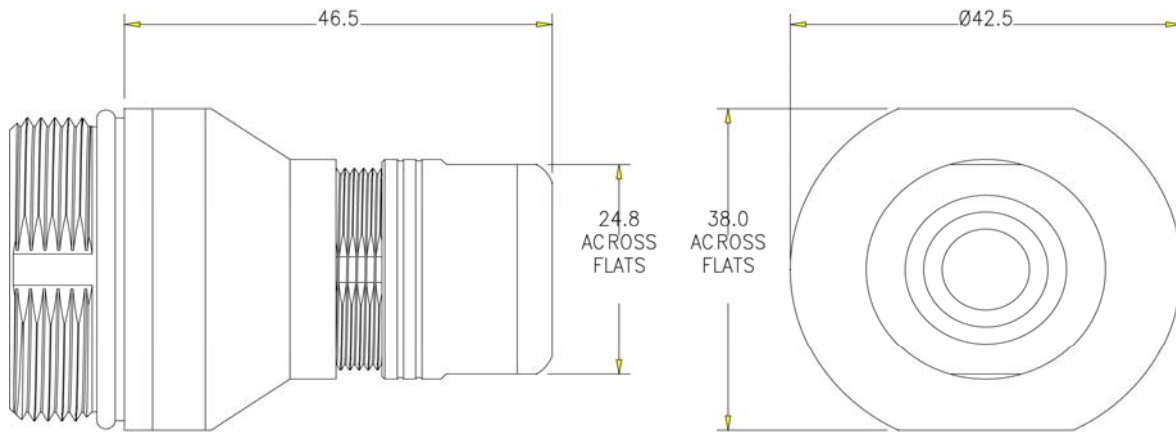


| CONFIGURATION | PART NUMBER | LENGTH |
|---|-------------|--------|
| C grip core, Crimp cable, Diameter 15 -17mm | MC3CG-S2 | NA |

DIMENSIONS



TEMPERATURE RANGE: -20C to +130C

| | |
|-------------------------------|---------------------------|
| PROTECTION: | IP 67 (Plugged Condition) |
| DEGREE OF PROTECTION: | 3 |
| OVER VOLTAGE CATEGORY: | III |
| HOUSING BODY: | ZINC DIE-CAST |
| COUPLING NUT: | BRASS, NICKEL-PLATED |
| INSULATION INSERTS: | PA66 / PBT, UL 94 / VO |
| CONTACTS: | BRASS, GOLD-PLATED |
| SEALS: | DUPONT VITON |