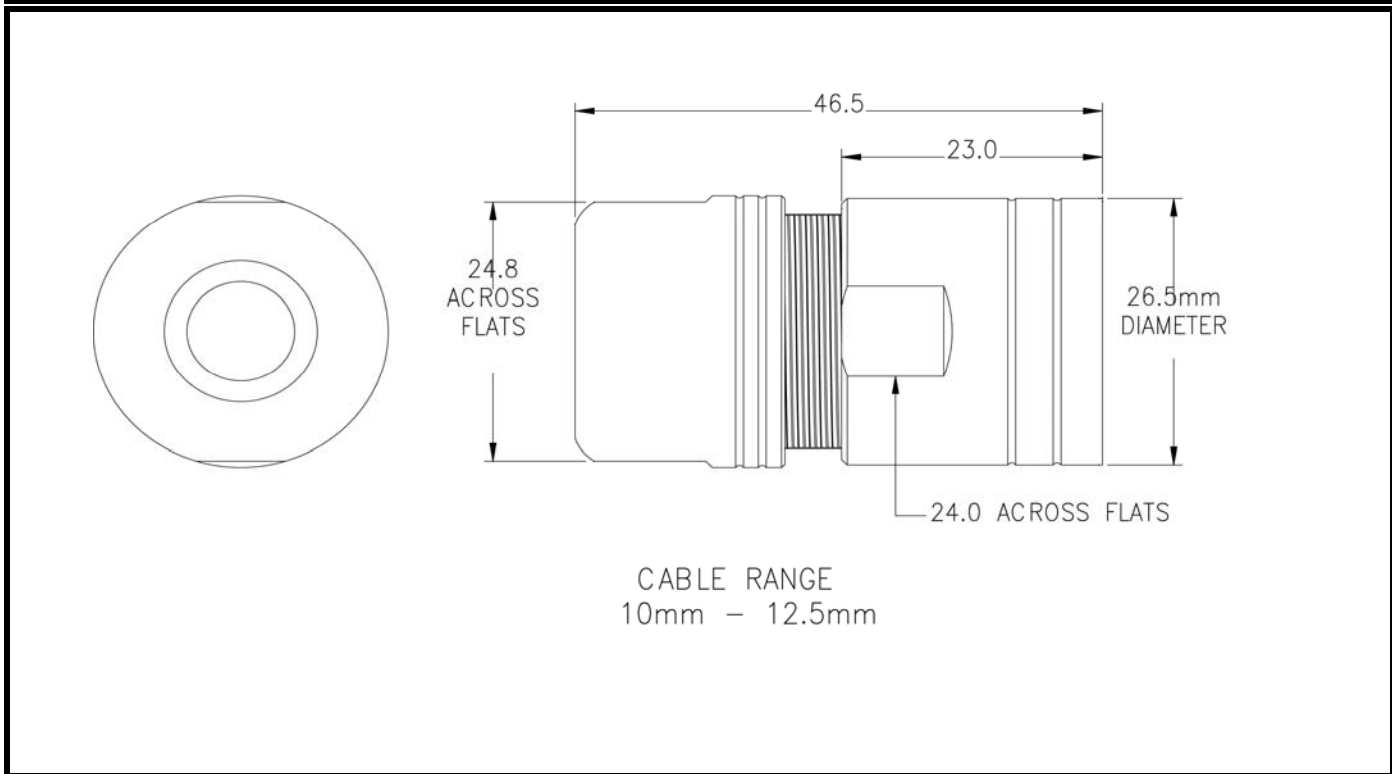


CONFIGURATION	PART NUMBER	LENGTH
CORD GRIP 10mm - 12.5mm EXIT DIAMETER	MA3CG-S3	TBD

DIMENSIONS



TECHNICAL DATA

TEMPERATURE RANGE:	-20C to +130C
PROTECTION:	IP 67 (Plugged Condition)
DEGREE OF PROTECTION:	3
OVER VOLTAGE CATEGORY:	III
HOUSING BODY:	ZINC DIE-CAST
COUPLING NUT:	BRASS, NICKEL-PLATED
INSULATION INSERTS:	PA66, UL 94 / VO
CONTACTS:	BRASS, GOLD-PLATED
SEALS:	DUPONT VITON
MAX CURRENT:	MAX. 9A
(MAX WIRE GAUGE)	
TEST VOLTAGE:	2500 V
(BETWEEN CONTACTS)	
MAXIMUM VOLTAGE:	125V AC/DC
CONTACT RESISTANCE:	<5
MAXIMUM MATING CYCLES:	>50

NOTES