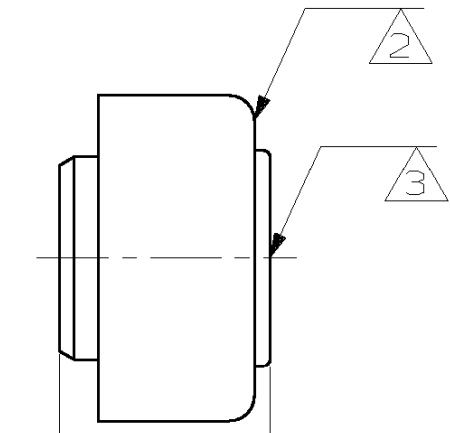
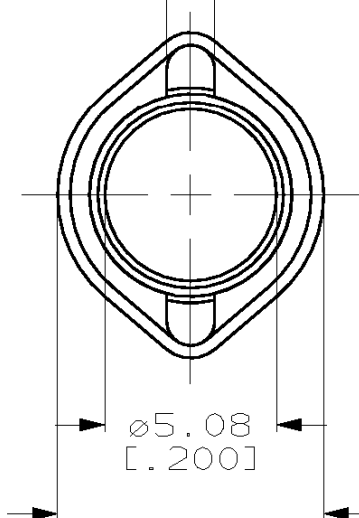


LOC	DIST	REVISIONS					
AJ	16	P	LTR	DESCRIPTION	DATE	DWN	APVD
		L		REV PER 0U20-0563-00	190CT00	MO	JL

1.85±0.25
[.073±.010]



8.89 MAX
[.350]

∅9.32±0.25
[.367±.010]

INSULATION SIZE: 3.68-4.67 DIA
[.145-.184]

- 1 ZINC PLATE PER QQ-Z-325
- 2 COPPER PER QQ-C-576
- 3 BRASS PER ASTM-B-16
- 4 TIN PLATE PER MIL-T-10727

4	2-327138-2
1	327138
FINISH	PART NUMBER

THIS DRAWING IS UNPUBLISHED. BY AMP INCORPORATED. ALL RIGHTS RESERVED. COPYRIGHT 19

DIMENSIONS: mm TOLERANCES UNLESS OTHERWISE SPECIFIED: 0 PLC ±- 1 PLC ±- 2 PLC ±- 3 PLC ±.005 4 PLC ±- ANGLES ±-	DWN J.L.GROFT	MATERIAL	SEE NOTES	FINISH	SEE NOTES
	CHK S.W.BURKHOLDER	AMP AMP Incorporated Harrisburg, PA 17105-3608			
APVD S.W.BURKHOLDER					
PRODUCT SPEC	NAME	FERRULE ASSEMBLY, TERMASHIELD			
APPLICATION SPEC	SIZE	CAGE CODE	DRAWING NO		
WEIGHT	A4	00779	C-327138		
CUSTOMER DRAWING		SCALE	4:1	SHEET	1 OF 1
					REV L