

**ebm-papst St. Georgen GmbH & Co. KG**

Hermann-Papst-Straße 1

78112 St. Georgen

Phone: +49 7724 81-0

Fax: +49 7724 81-1309

www.ebmpapst.com

info2@de.ebmpapst.com

Nominal data

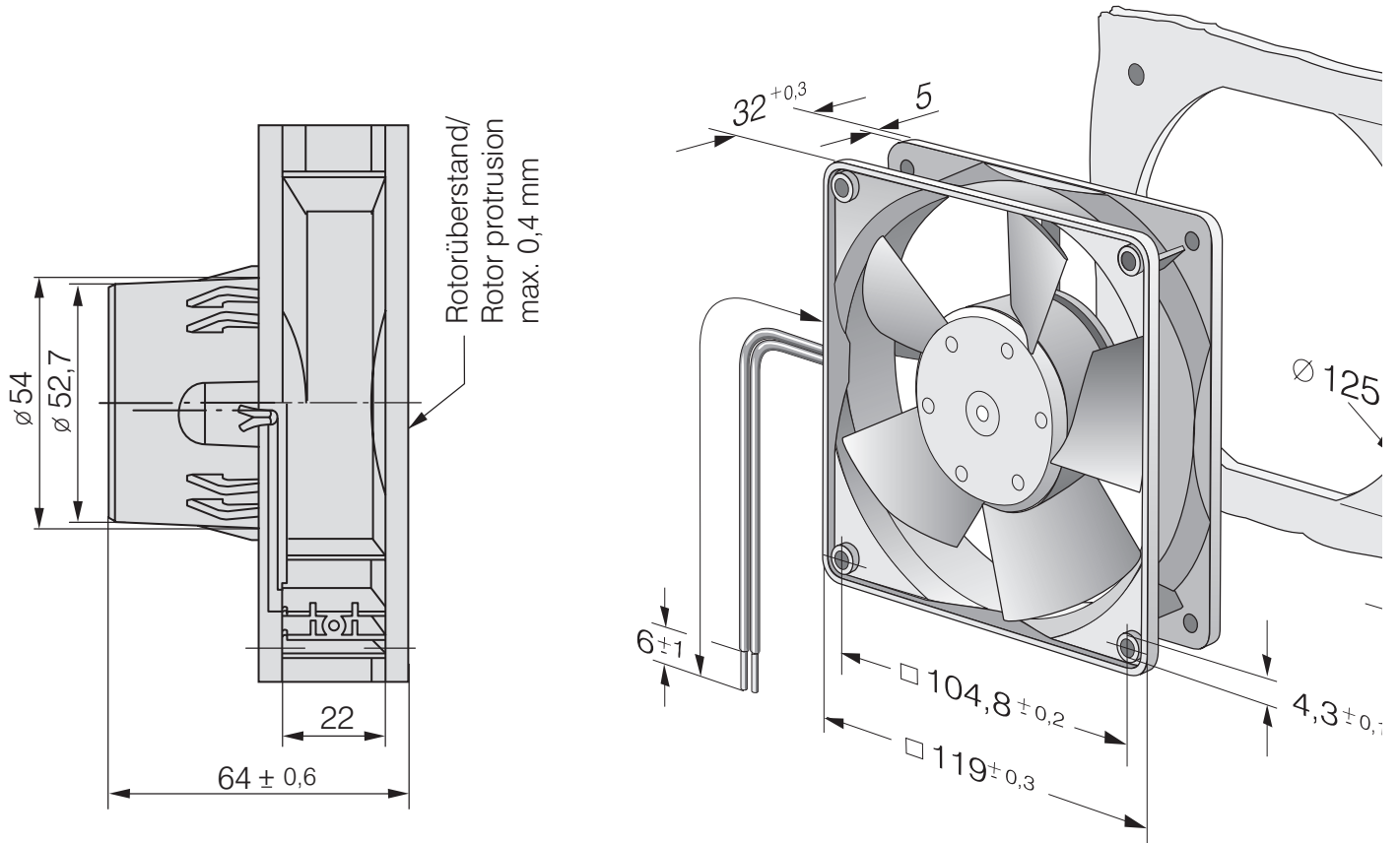
| Type | AC 4300 H | |
|--------------------------|----------------------|---------|
| Nominal voltage | [VAC] | 115/230 |
| Frequency | [Hz] | 50/60 |
| Speed | [min ⁻¹] | 3400 |
| Power input | [W] | 11 |
| Min. ambient temperature | [°C] | -20 |
| Max. ambient temperature | [°C] | 70 |
| Air flow | [m ³ /h] | 204 |
| Sound power level | [B] | 6.4 |
| Sound pressure level | [dB(A)] | 51 |

ml = max. load · me = max. efficiency · rfa = running at free air · cs = customer specs · cu = customer unit
Subject to alterations

Technical features

| | |
|--|---|
| Dimensions | 119 x 119 x 32 mm |
| General description | Can be used universally for all supply voltages between 85 and 265 V AC. Fan speed independent of the power frequency. Significantly lower power consumption than conventional AC fans. Rigid compression curve for high air flow at high counterpressure. Innovative impeller with winglets for low noise. Electronic commutation completely integrated. |
| Connection line | Single strands AWG 22, TR 64, bared and tin-plated. |
| Direction of protection | Right, looking at rotor |
| Direction of air flow | Air exhaust over bars |
| Bearing | Ball bearings |
| Lifetime L10 at 40 °C | 45000 h |
| Lifetime L10 at maximum temperature | 22500 h |
| Mass | 0.325 kg |
| Housing material | Fiberglass-reinforced PBTP plastic |
| Material of impeller | Fiberglass-reinforced PA plastic |
| Motor protection | Protected against reverse polarity and locking. |
| Option | Open loop speed control, sensor and alarm signal; improved moisture protection or protection class IP54 |
| Type of protection | IP 21 |
| Approval | UL, CSA, VDE |

Product drawing



Charts: Air flow

