

**ebm-papst St. Georgen GmbH & Co. KG**

Hermann-Papst-Straße 1

78112 St. Georgen

Phone: +49 7724 81-0

Fax: +49 7724 81-1309

www.ebmpapst.com

info2@de.ebmpapst.com

Nominal data

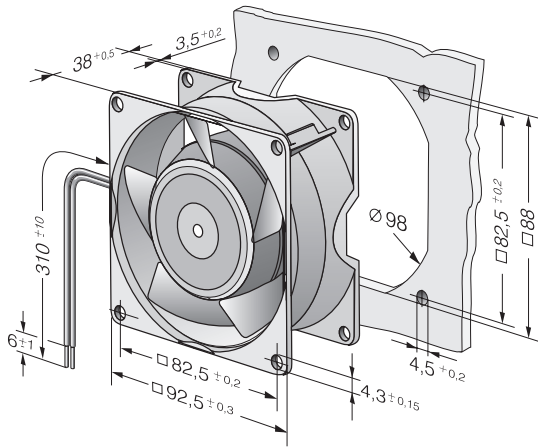
| Type | 3606 | |
|--------------------------|----------------------|------|
| Nominal voltage | [VAC] | 115 |
| Frequency | [Hz] | 60 |
| Speed | [min ⁻¹] | 3200 |
| Power input | [W] | 11.0 |
| Min. ambient temperature | [°C] | -40 |
| Max. ambient temperature | [°C] | 75 |
| Air flow | [m ³ /h] | 89 |
| Sound power level | [B] | 5.2 |
| Sound pressure level | [dB(A)] | 42 |

ml = max. load · me = max. efficiency · rfa = running at free air · cs = customer specs · cu = customer unit
Subject to alterations

Technical features

| | |
|--|--|
| Dimensions | 92 x 92 x 38 mm |
| General description | AC fan with internal rotor shaded-pole motor. |
| Connection line | 2 single strands AWG 18 |
| Direction of protection | Right, looking at rotor |
| Direction of air flow | Air exhaust over bars |
| Bearing | Ball bearings |
| Lifetime L10 at 40 °C | 55000 h |
| Lifetime L10 at maximum temperature | 25000 h |
| Mass | 0.420 kg |
| Housing material | Metal |
| Material of impeller | Metal |
| Motor protection | Protected from overload using impedance protection |
| Approval | VDE, CSA, UL, CE |

Product drawing



Charts: Air flow

