

# 4000Z Series

Tubeaxial

119x119x38mm

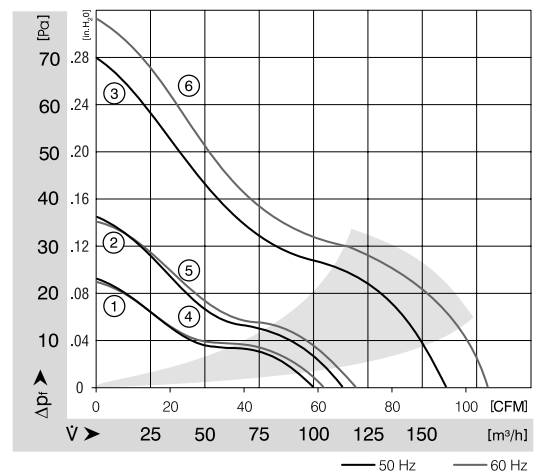
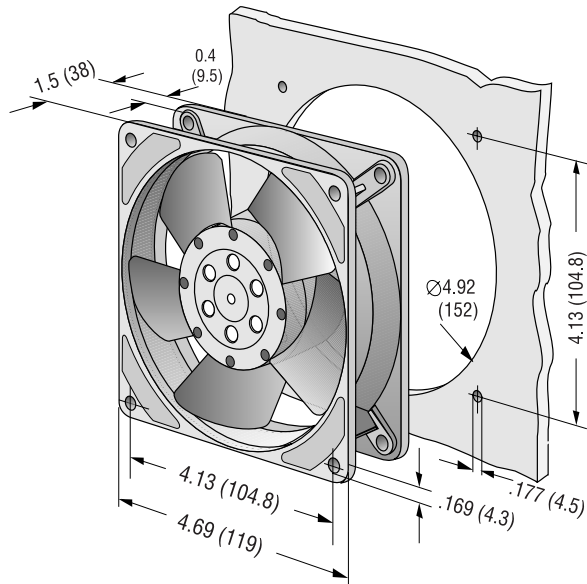


- AC fans with external rotor shaded-pole motor. Impedance protected against overloading.
- Metal fan housing and impeller.
- Air exhaust over struts. Rotational direction CW looking at rotor.
- Mounting from either face using four 4.3 mm holes.
- Electrical connection: Terminals with 2 flat pins 2.8 x 0.5 mm.
- Fan housing with ground lug for screw M4 and UNC.
- UL, CSA, VDE approvals on some models, please contact application engineering.

Part Number	Curve	CFM @ 0	VAC	Hertz	Power (W)	dBA	Max. Amb. Temp C	Bearing Type	Speed (RPM)	Features	Wgt. (lbs)
4624ZW	6	105.9	24	60	18	45	85	Ball	3100	Leads	1.19
4800Z	4	61.8	115	60	12	28	70	Sintec	1800	Terminals	1.19
4800ZW	4	61.8	115	60	12	28	70	Sintec	1800	Leads	1.19
4806Z	4	61.8	115	60	12	28	75	Ball	1800	Terminals	1.19
4530Z	5	70.6	115	60	12	32	70	Sintec	2000	Terminals	1.19
4530ZW	5	70.6	115	60	12	32	70	Sintec	2000	Leads	1.19
4536Z	5	70.6	115	60	12	32	75	Ball	2000	Terminals	1.19
4600Z	6	105.9	115	60	18	45	60	Sintec	3100	Terminals	1.19
4606Z	6	105.9	115	60	18	45	85	Ball	3100	Terminals	1.19
4600ZW	6	105.9	115	60	18	45	60	Sintec	3100	Leads	1.19
4606ZW	6	105.9	115	60	18	45	85	Ball	3100	Leads	1.19

Available on request:

- Electrical connection via 2 single leads 310 mm long.



**ebmpapst**

e-mail: [sales@us.ebmpapst.com](mailto:sales@us.ebmpapst.com) · TEL: 860-674-1515 · FAX: 860-674-8536

ebm-papst Inc., 100 Hyde Road, Farmington, CT 06034 USA

ebm-papst Inc., 2006 © ebm-papst Inc. reserves the right to change any specifications or data without notice

# 4000Z Series cont. Tubeaxial

## 119x119x38mm

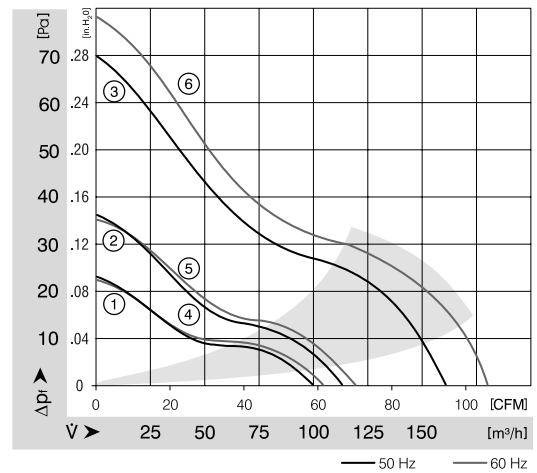
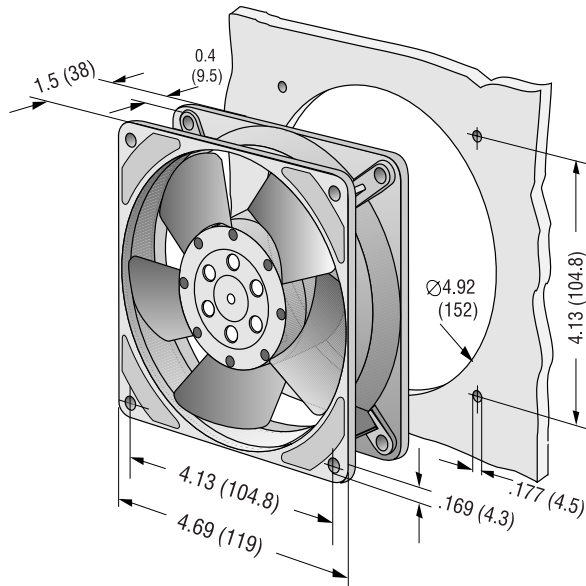


- AC fans with external rotor shaded-pole motor. Impedance protected against overloading.
- Metal fan housing and impeller.
- Air exhaust over struts. Rotational direction CW looking at rotor.
- Mounting from either face using four 4.3 mm holes.
- Electrical connection: Terminals with 2 flat pins 2.8 x 0.5 mm.
- Fan housing with ground lug for screw M4 and UNC.
- UL, CSA, VDE approvals on some models, please contact application engineering.

Part Number	Curve	CFM @ 0	VAC	Hertz	Power (W)	dBA	Max. Amb. Temp C	Bearing Type	Speed (RPM)	Features	Wgt. (lbs)
4850Z	1	58.9	230	50	13	26	65	Sintec	1700	Terminals	1.19
4850ZW	1	58.9	230	50	13	26	65	Sintec	1700	Leads	1.19
4856Z	1	58.9	230	50	13	26	75	Ball	1700	Terminals	1.19
4580Z	2	67.7	230	50	13	30	65	Sintec	1900	Terminals	1.19
4580ZW	2	67.7	230	50	13	30	65	Sintec	1900	Leads	1.19
4586Z	2	67.7	230	50	13	30	75	Ball	1900	Terminals	1.19
4650Z	3	94.2	230	50	19	40	50	Sintec	2650	Terminals	1.19
4650ZW	3	94.2	230	50	19	40	50	Sintec	2650	Leads	1.19
4656Z	3	94.2	230	50	19	40	75	Ball	2650	Terminals	1.19
4656ZW	3	94.2	230	50	19	40	75	Ball	2650	Leads	1.19
4590ZW	2	67.7	115/230	50/60	12	30	65	Sintec	1900	Leads	1.19

Available on request:

- Electrical connection via 2 single leads 310 mm long.



# ebmpapst

e-mail: [sales@us.ebmpapst.com](mailto:sales@us.ebmpapst.com) · TEL: 860-674-1515 · FAX: 860-674-8536

ebm-papst Inc., 100 Hyde Road, Farmington, CT 06034 USA

ebm-papst Inc., 2006 © ebm-papst Inc. reserves the right to change any specifications or data without notice