

**ebm-papst St. Georgen GmbH & Co. KG**

Hermann-Papst-Straße 1

78112 St. Georgen

Phone: +49 7724 81-0

Fax: +49 7724 81-1309

www.ebmpapst.com

info2@de.ebmpapst.com

Nominal data

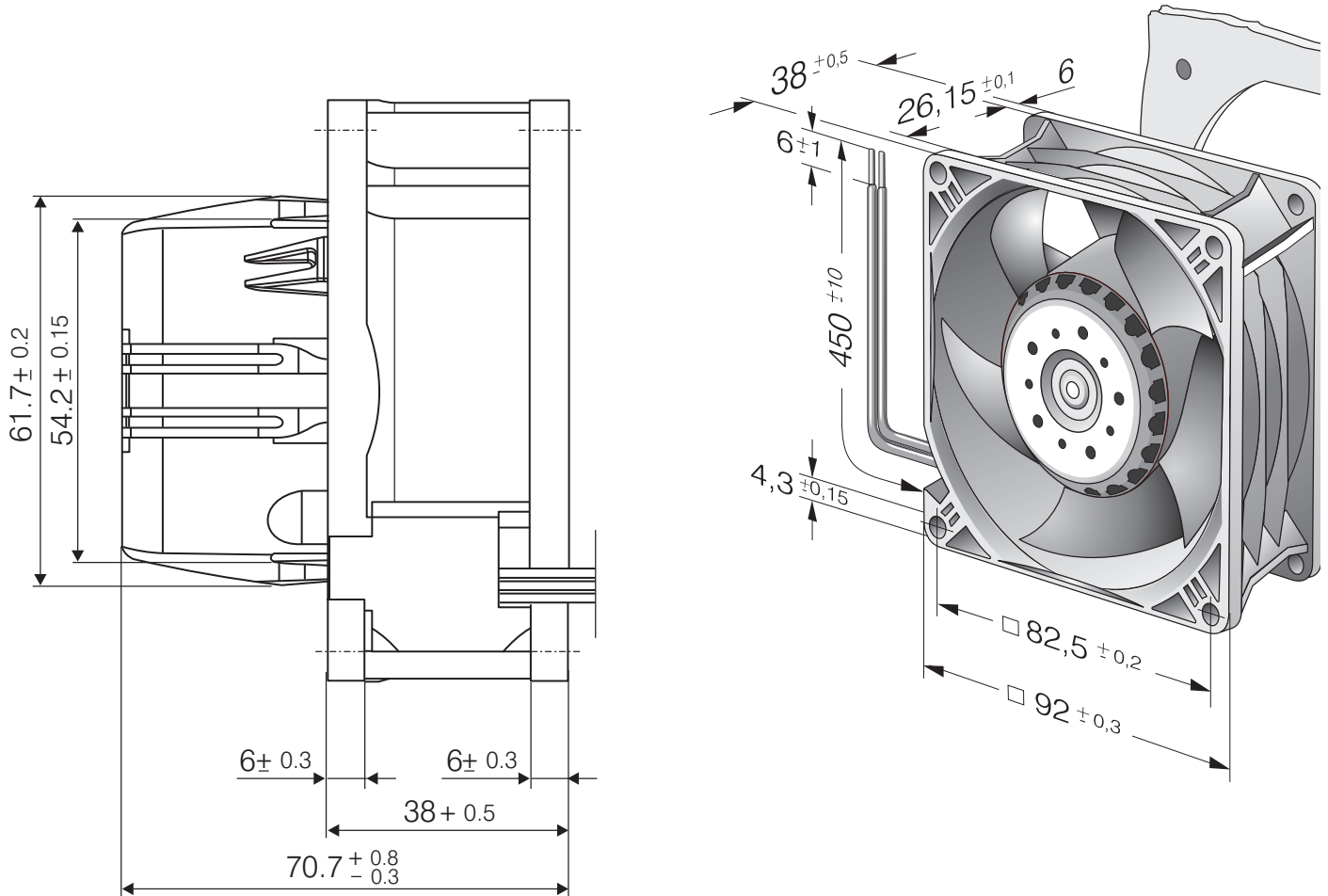
Type	AC 3200 JH	
Nominal voltage	[VAC]	115/230
Frequency	[Hz]	50/60
Speed	[min ⁻¹]	6800
Power input	[W]	11
Min. ambient temperature	[°C]	-20
Max. ambient temperature	[°C]	70
Air flow	[m ³ /h]	144
Sound pressure level	[dB(A)]	55

ml = max. load · me = max. efficiency · rfa = running at free air · cs = customer specs · cu = customer unit
Subject to alterations

Technical features

Dimensions	92 x 92 x 38 mm
General description	Can be used universally for all supply voltages between 85 and 265 V AC. Fan speed independent of the power frequency. Significantly lower power consumption than conventional AC fans. Rigid compression curve for high air flow at high counterpressure. Innovative impeller with winglets for low noise. Electronic commutation completely integrated.
Connection line	Single strands AWG 22, TR 64, bared and tin-plated.
Direction of protection	Right, looking at rotor
Direction of air flow	Air exhaust over bars
Bearing	Ball bearings
Lifetime L10 at 40 °C	70000 h
Lifetime L10 at maximum temperature	35000 h
Mass	0.325 kg
Housing material	Fiberglass-reinforced PBTP plastic
Material of impeller	Fiberglass-reinforced PA plastic
Motor protection	Protected against blocking.
Option	Open loop speed control, sensor and alarm signal; improved moisture protection or protection class IP 54.
Protection class	IP 54
Approval	VDE, CSA, UL, CCC, CE

Product drawing



Charts: Air flow

