

**ebm-papst St. Georgen GmbH & Co. KG**

Hermann-Papst-Straße 1

78112 St. Georgen

Phone: +49 7724 81-0

Fax: +49 7724 81-1309

www.ebmpapst.com

info2@de.ebmpapst.com

**Nominal data**

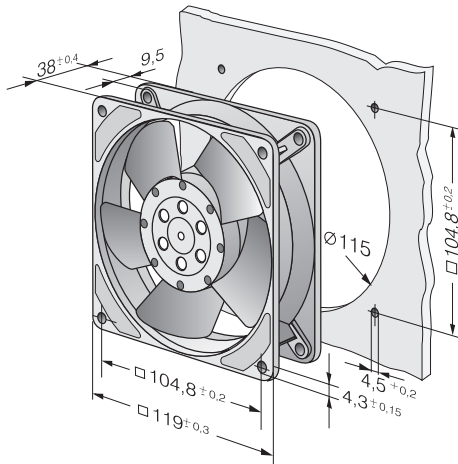
Type	4606 Z	
Nominal voltage	[VAC]	115
Frequency	[Hz]	60
Speed	[min <sup>-1</sup> ]	3100
Power input	[W]	18.0
Min. ambient temperature	[°C]	-40
Max. ambient temperature	[°C]	85
Air flow	[m <sup>3</sup> /h]	180
Sound power level	[B]	5.6
Sound pressure level	[dB(A)]	45

ml = max. load · me = max. efficiency · rfa = running at free air · cs = customer specs · cu = customer unit  
 Subject to alterations

## Technical features

<b>Dimensions</b>	119 x 119 x 38 mm
<b>General description</b>	AC fan with external rotor shaded-pole motor.
<b>Connection line</b>	2 flat plugs 2.8 x 0.5 mm. Housing with grounding lug and tapping screw M4 x 8 (TORX).
<b>Direction of protection</b>	Right, looking at rotor
<b>Direction of air flow</b>	Air exhaust over bars
<b>Bearing</b>	Ball bearings
<b>Lifetime L10 at 40 °C</b>	40000 h
<b>Lifetime L10 at maximum temperature</b>	15000 h
<b>Mass</b>	0.540 kg
<b>Housing material</b>	Metal
<b>Material of impeller</b>	Metal
<b>Motor protection</b>	Protected from overload using impedance protection
<b>Option</b>	Available with electrical terminals on single strands that are 310 mm in length.
<b>Approval</b>	VDE, CSA, UL, CE

## Product drawing



Charts: Air flow

