

# 8000N Series

# Tubeaxial

## 80x80x38mm

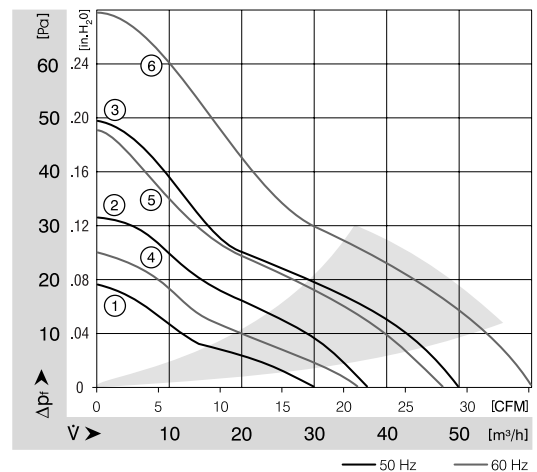
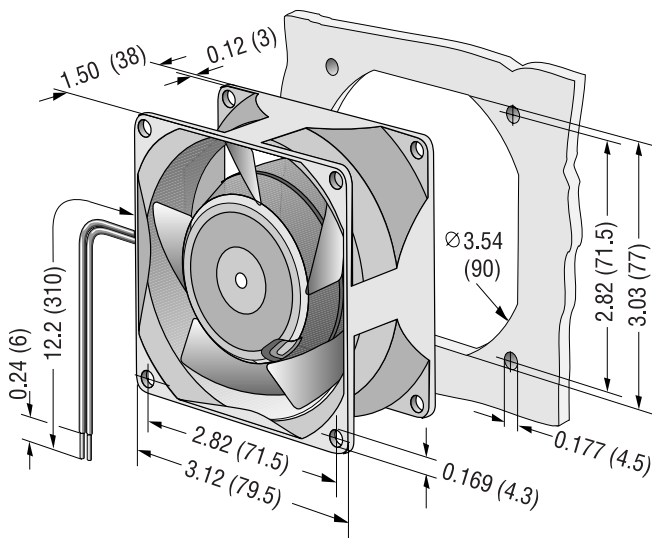


- AC fans with external rotor shaded-pole motor. Impedance protected against overloading.
- Metal fan housing and impeller.
- Air exhaust over struts. Rotational direction CW looking at rotor.
- Mounting from either face using four 4.3 mm holes.
- Electrical connection via 2 leads. Stripped and tinned ends.
- Fan housing with ground lug and screw M 4 x 8 (TORX).
- UL, CSA, VDE approvals on some models, please contact application engineering.

Part Number	Curve	CFM @ 0	VAC	Hertz	Power (W)	dBA	Max. Amb. Temp C	Bearing Type	Speed (RPM)	Features	Wgt. (lbs)
8830N	4	21.2	115	60	8.0	21	80	Sintec	1950	Leads	1.08
8800N	5	27.7	115	60	11.0	28	70	Sintec	2500	Leads	1.08
8500DP	6	35.9	115	60	11.0	34	75	Sintec	3200	Leads	1.08
8500N	6	35.9	115	60	11.0	34	75	Sintec	3200	Leads	1.08
8506N	6	35.9	115	60	11.0	35	95	Ball	3300	Leads	1.08
8880N	1	17.7	230	50	9.0	18	80	Sintec	1750	Leads	1.08
8850N	2	21.8	230	50	12.5	24	70	Sintec	2150	Leads	1.08
8550N	3	29.4	230	50	12.0	30	70	Sintec	2700	Leads	1.08
8556N	3	29.4	230	50	12.0	31	90	Ball	2800	Leads	1.08

Note: 8500DP has a 5 year warranty.

Fan Type				Lead Wires	
8830 N	8800 N	8550 N	8500 N	310 mm long	AWG 18, TR 64
8556 N	8506 N			310 mm long	AWG 22
8880 N	8850 N			440 mm long	AWG 18, TR 64



**ebmpapst**

e-mail: [sales@us.ebmpapst.com](mailto:sales@us.ebmpapst.com) · TEL: 860-674-1515 · FAX: 860-674-8536

ebm-papst Inc., 100 Hyde Road, Farmington, CT 06034 USA

ebm-papst Inc., 2006 © ebm-papst Inc. reserves the right to change any specifications or data without notice