

4650 N

# AC axial compact fan



## ebm-papst St. Georgen GmbH & Co. KG

Hermann-Papst-Straße 1

78112 St. Georgen

Phone: +49 7724 81-0

Fax: +49 7724 81-1309

www.ebmpapst.com

info2@de.ebmpapst.com

## Nominal data

Type	4650 N	
Nominal voltage	[VAC]	230
Frequency	[Hz]	50
Speed	[min <sup>-1</sup> ]	2650
Power input	[W]	19.0
Min. ambient temperature	[°C]	-10
Max. ambient temperature	[°C]	55
Air flow	[m <sup>3</sup> /h]	160
Sound power level	[B]	5.4
Sound pressure level	[dB(A)]	46

ml = max. load · me = max. efficiency · rfa = running at free air · cs = customer specs · cu = customer unit  
Subject to alterations

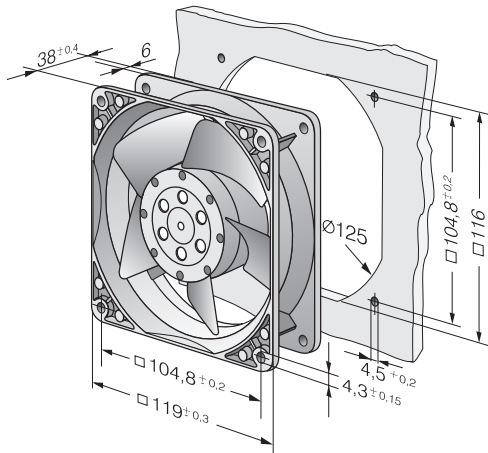
**Technical features**

<b>Dimensions</b>	119 x 119 x 38 mm
<b>General description</b>	AC fan with external rotor shaded-pole motor.
<b>Connection line</b>	2 flat plugs 3.0 x 0.5 mm. Housing with grounding lugs for screw M4 and UNC.
<b>Direction of protection</b>	Right, looking at rotor
<b>Direction of air flow</b>	Inlet over bars
<b>Bearing</b>	Sintec sleeve bearing system
<b>Lifetime L10 at 40 °C</b>	37500 h
<b>Lifetime L10 at maximum temperature</b>	27500 h
<b>Mass</b>	0.550 kg
<b>Housing material</b>	Metal
<b>Material of impeller</b>	Metal
<b>Motor protection</b>	Protected from overload using impedance protection
<b>Option</b>	Variants optionally available with reinforced mounting flanges and customizable single-strand wiring.
<b>Approval</b>	VDE, CSA, UL, CE

4650 N

# AC axial compact fan

## Product drawing



## Charts: Air flow

