

3110PS (80[□] x 25^L)



EMINEBEA.COM

General Specifications

Allowable Ambient Temperature Range:

- 10°C ~ +70°C (Operating)
- 40°C ~ +70°C (Storage)
- (non-condensing environment)

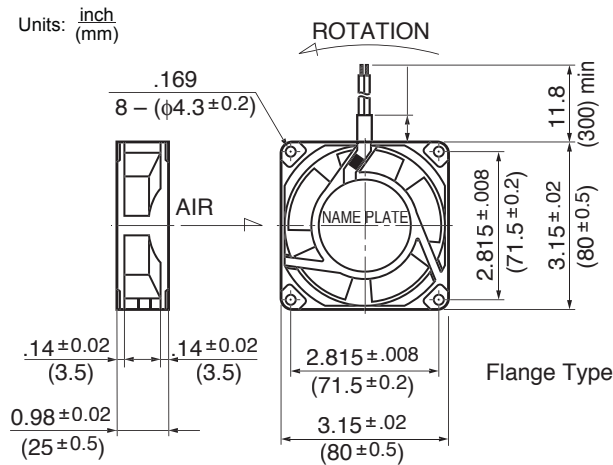
Motor Structure: Shaded Pole Induction Motor

Motor Protection: Impedance Protection

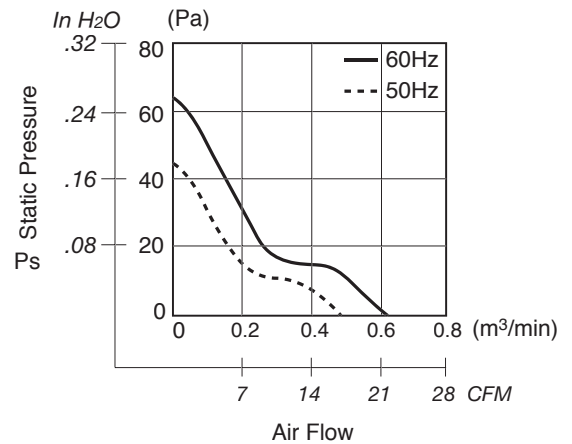
Expected Life

Failure Rate: 10%
25°C 50,000 Hours

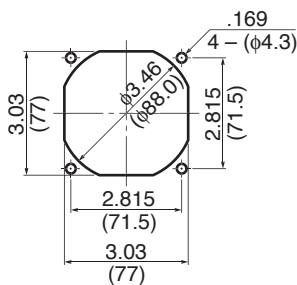
Outline



Characteristic Curves



Panel Cut-outs



INLET SIDE / OUTLET SIDE

Material

- Casing : Aluminum
- Impeller : Polycarbonate (Glass Fiber-Containing)
- Bearing : Ball Bearings
- Lead Wire: UL3266, CSA CL1252, AWG22

Specifications

MODEL	Rated Voltage	Frequency	Starting Voltage	Current	Input Power	Speed	Max. Air Flow		Max. Static Pressure		Noise	Mass
	(V)	(Hz)	(V)	(A)*1	(W) ^{+10% -20%}	(min ⁻¹)*3	CFM*2	(m ³ /min)*3	in H ₂ O	(Pa)*3	(dB)*2	(g)
3110PS-10W-B30-B00	100	50	65	0.090	6.0	2600	16.2	0.46	.15	39.2	28	220
	100	60	65	0.080	5.0	3100	19.7	0.56	.21	53.9	33	220
3110PS-12W-B30-A00	115	50	65	0.085	6.0	2600	16.2	0.46	.15	39.2	28	220
	115	60	65	0.075	5.0	3100	19.7	0.56	.21	53.9	33	220

Rotation: Counterclockwise Airflow Outlet: Air Out Over Struts *1: Maximum Values in Free Air *2: Average Values in Free Air *3: Minimum Values in Free Air