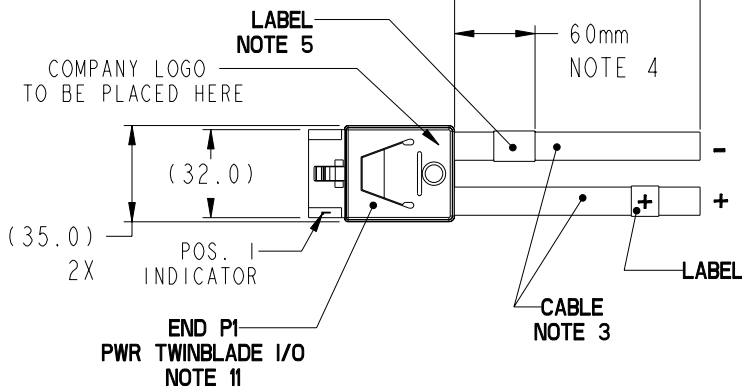


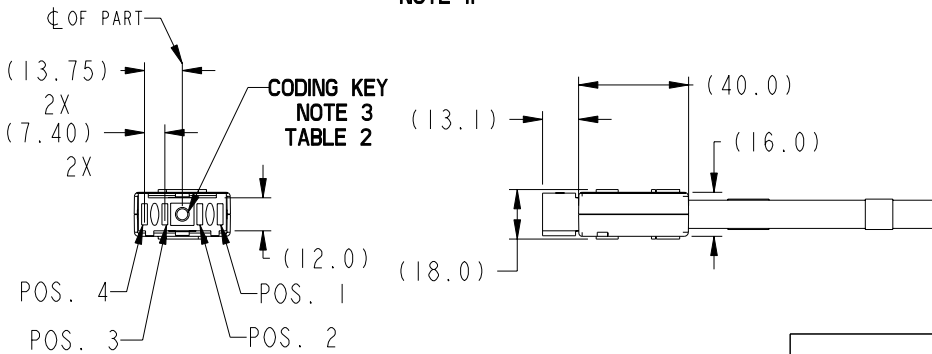
Product number
10080068-2XXLXXXLF

"DIM L"
NOTES 2 AND 9



CODING KEY - TABLE 2		
ORIENTATION FRONT VIEW	ORIENTATION SIDE VIEW	DEGREE
		0°
		90°
		180°
		270°

TABLE 1 (SEE NOTE 6)	
WIRING LIST	
POS. 1	POSITIVE +
POS. 2	
POS. 3	NEGATIVE -
POS. 4	



www.fciconnect.com			surface	tolerance std	projection	MM
TOLERANCES UNLESS OTHERWISE SPECIFIED			ANGULAR	0.X ±0.X	size A4	Scale 1:2
LINEAR			0.XX ±0.10	ECN V10-0017		
0° ±2°			0.XXX ±0.XXX			
Dr	D. INGRAM	2009-05-05				
Eng	D. INGRAM	2009-05-05				
Chr	D. INGRAM	2009-05-05				
Appr	B. BRUBAKER	2009-05-05	Product family	C&A	Spec ref	
FCJ			PWR TWINBLADE I/O		dwg no	10080068-2XXLXXXLF
			STRAIGHT CABLE ASSEMBLY		Rev.	B
catalog no			CUSTOMER		sheet 1 of 3	

rev	ecn no	dr	date
A	V09-0215	DAI	2009-05-05
B	V10-0017	DAI	2010-02-16

PDM: Rev:B

STATUS:Released

Printed: Dec 23, 2010



Copyright FCJ.

REV F - 2008-04-17

Product number
10080068-2XXLXXXLF

NOTES:

1. MATES WITH FCI CONNECTOR: 51939-219LF OR 10093083.

2. UNLESS OTHERWISE SPECIFIED ASSEMBLED LENGTH TOLERANCE =
 < 1 METER: ±15.0mm
 > 1 METER TO 10 METER: ±2% OF "DIM L"
 > 10 METER: +0.00% / -4% OF "DIM L"

3. PART NUMBER DESCRIPTION:
 10080068 - 2 X X LXXX LF

LF: LEAD FREE (NOTE 10)

LXXX = "DIM L"

LXXX

LENGTH IN CENTIMETERS
 EXAMPLES OF LXXX:
 L090 = 90cm
 L150 = 150cm

STYLE:

END P1 CONNECTOR STYLE	END P2
2: STRAIGHT	WIRES ONLY (BLUNT CUT CABLE)

CODING KEY:

	ORIENTATION
A:	0°
B:	90°
C:	180°
D:	270°
E:	CUSTOMER INSTALLED

CABLE DESCRIPTION

	WIRE SIZE	DESCRIPTION	NOTES
E:	2x6 ²	STRANDED	HALOGEN FREE
G:	16mm ²	STRANDED	HALOGEN FREE

	title	PWR TWINBLADE I/O	drg. no	10080068-2XXLXXXLF	Rev.	B
	catalog no	STRAIGHT CABLE ASSEMBLY		CUSTOMER		sheet 2 of 3

REV F - 2008-04-17

PDM: Rev:B

STATUS:Released

4 Printed: Dec 23, 2010

Copyright FCI.

Product number
10080068-2XXLXXXLF

A

NOTES CONTINUED:

- ④ LABEL POSITION SHALL BE 60mm FROM REAR OF CONNECTOR.
- ⑤ UNLESS OTHERWISE SPECIFIED STANDARD LABEL SHALL BE FCJ P/N 10081646-002.
 LABEL DETAILS;
 -MANUFACTURER CODE OR NAME
 -FCJ P/N OR CUSTOMER P/N
 -REVISION
 -DATE CODE WW/YY FORMAT
 -COUNTRY ORIGIN
 FONT SHALL BE CLEARLY VISIBLE AND BLACK IN COLOR.

B

- ⑥ ALL CABLE ASSEMBLIES SHALL BE TESTED 100% FOR CONTINUITY AS DEFINED IN WIRING LIST.
- 7. UNLESS OTHERWISE SPECIFIED ALL CABLE ASSEMBLIES SHALL BE 100% HI-POT TESTED BY APPLYING 300V DC FOR MINIMUM OF 10ms, UNLESS ACTIVE COMPONENTS ARE USED IN THIS ASSEMBLY.
- 8. OTHER TESTING PERFORMED AS REQUIRED BY PRODUCT SPECIFICATION: GS-12-389

C


- ⑨ THIS DIMENSION IS A FINISHED PRODUCT LENGTH.
- ⑩ LEAD FREE PRODUCTS MEET EUROPEAN UNION DIRECTIVES AND OTHER COUNTRY REGULATIONS AS DESCRIBED IN GS-22-008.
- ⑪ ASSEMBLY SHOWN IS FOR REFERENCE ONLY AND MAY NOT SHOW ALL PART DETAIL. REFERENCE CONNECTOR ASSEMBLY DRAWINGS FOR COMPLETE DETAILS.

Copyright FCJ.

- 12. PACKAGING SPECIFICATION: GS-14-1325.
- 13. A "△" SYMBOL WILL BE NEXT TO ANY DIMENSION, VIEW, OR NOTE WHICH HAS BEEN MODIFIED WITH THE CURRENT DRAWING REVISION." THE CURRENT REVISION WILL BE SHOWN IN THE SYMBOL.

D

- 14. TOP/BOTTOM COVERS - THERMOPLASTIC POLYMER
- HOUSING - THERMOPLASTIC POLYMER
- △ STRAIN RELIEF - THERMOPLASTIC POLYMER
- LOCKING SPRING - THERMOPLASTIC POLYMER
- CODING KEY - THERMOPLASTIC POLYMER - COLOR: RED
- TERMINAL CRIMP - Hi CONDUCTIVE Cu ALLOY
- TERMINAL BLADES - Hi CONDUCTIVE Cu ALLOY
- CONDUCTOR - STRANDED COPPER
- JACKET - POLYOFELIN (PE)
- CABLE IS TO BE UL RECOGNIZED

	title	PWR TWINBLADE I/O	Rev.	B
	catalog no	STRAIGHT CABLE ASSEMBLY	sheet	3 of 3
	drwg no	10080068-2XXLXXXLF	CUSTOMER	

REV F - 2008-04-17