

MODEL TLH-5934

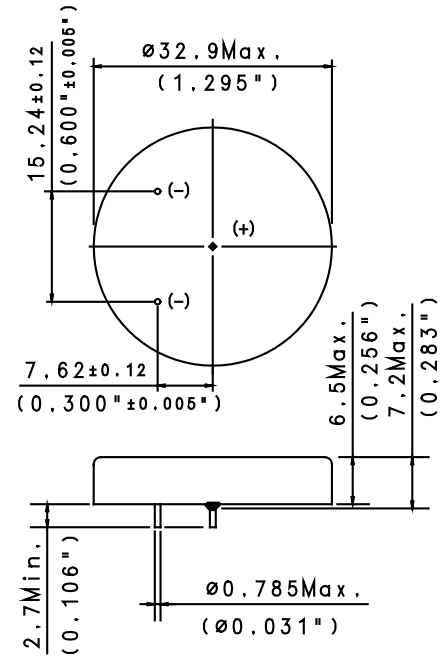
International size reference: 1/10D, ER32L65

TECHNICAL DATA

(Typical values @+25°C for batteries stored for one year or less)

- Nominal capacity @ 1 mA, to 2 V 0.9 Ah
- Rated voltage 3.6 V
- Maximum recommended continuous current 10 mA
- Maximum pulse current capability 50 mA
- Weight 16.3 g (0.57 oz)
- Volume 5.2 cc
- Operating temperature range -55 °C to +125 °C
- Li metal content approx. 0.3 g
- U.L. Component Recognition, MH 12193

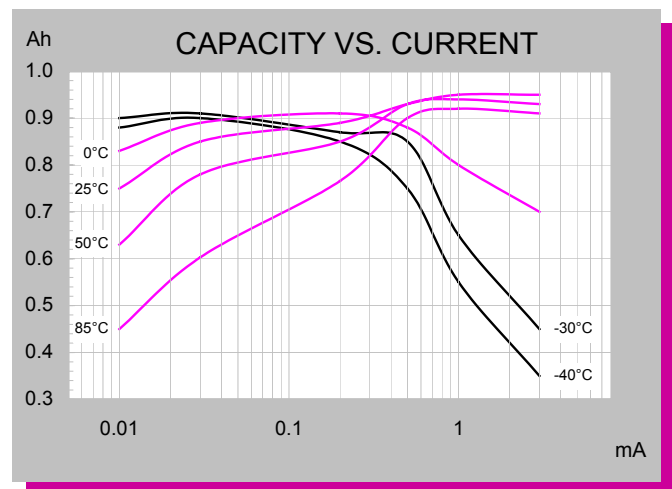
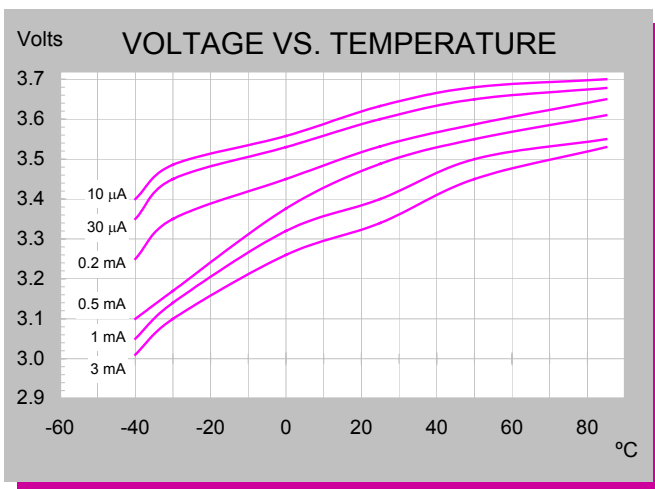
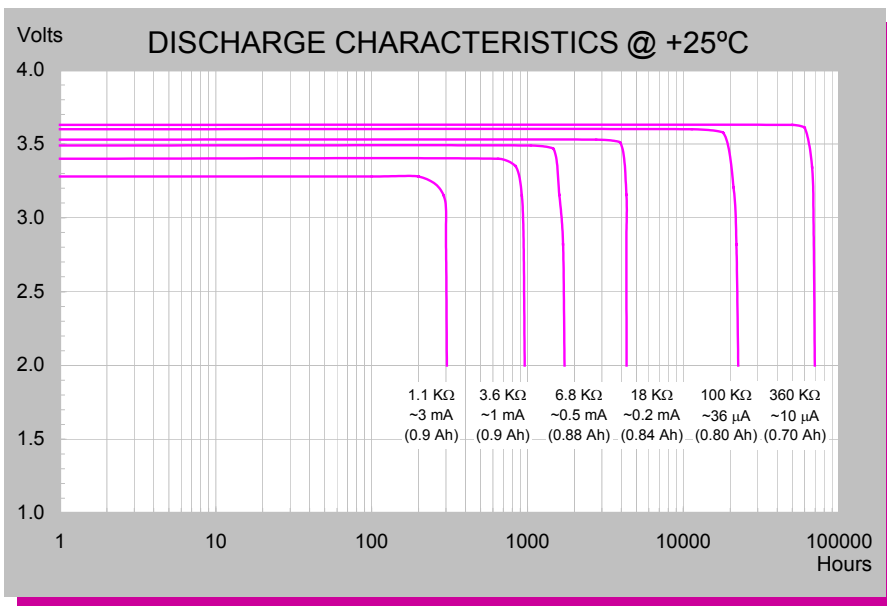
TADIRAN LITHIUM BATTERIES



ORDERING NO.

TERMINAL MATERIAL :
CATALOGUE NO. :

TIN PLATED NICKEL
15-5934-41505



Extended Temperature Range

Note: Any presentations in this data sheet concerning performance are for information purpose only and are not construed as warranties either expressed or implied, of future performance.

ECN 1501187 Rev. A 01/06