

# MODEL TL-5186

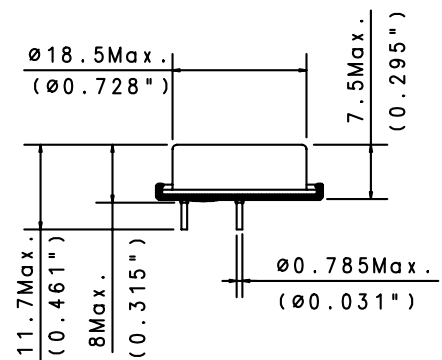
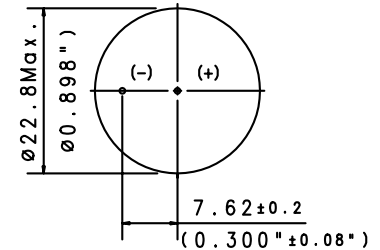
International size reference: ER22G75

## TECHNICAL DATA

(Typical values @+25°C for batteries stored for one year or less)

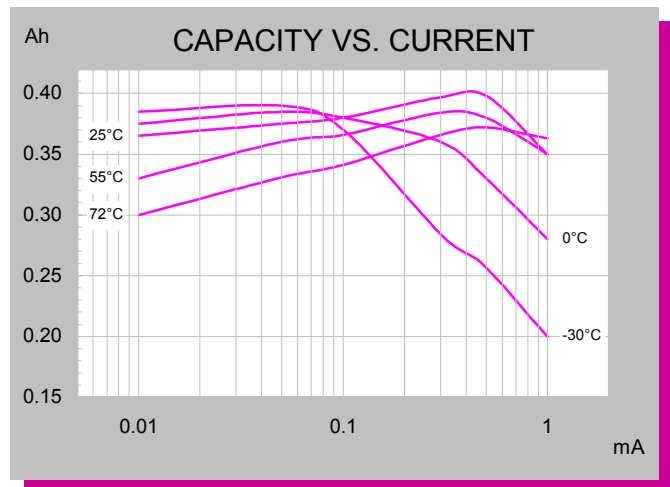
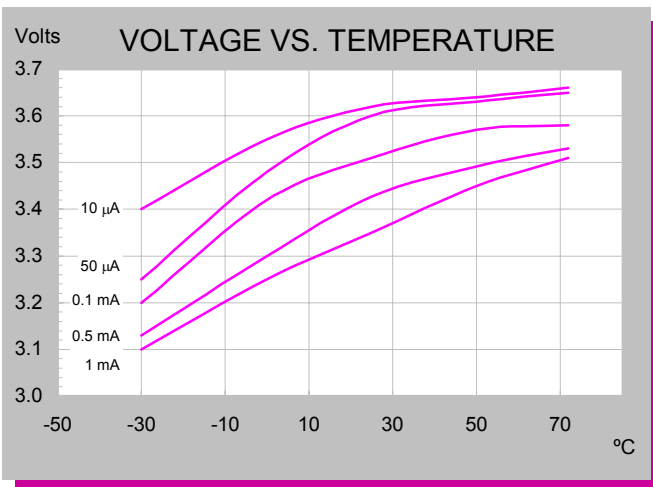
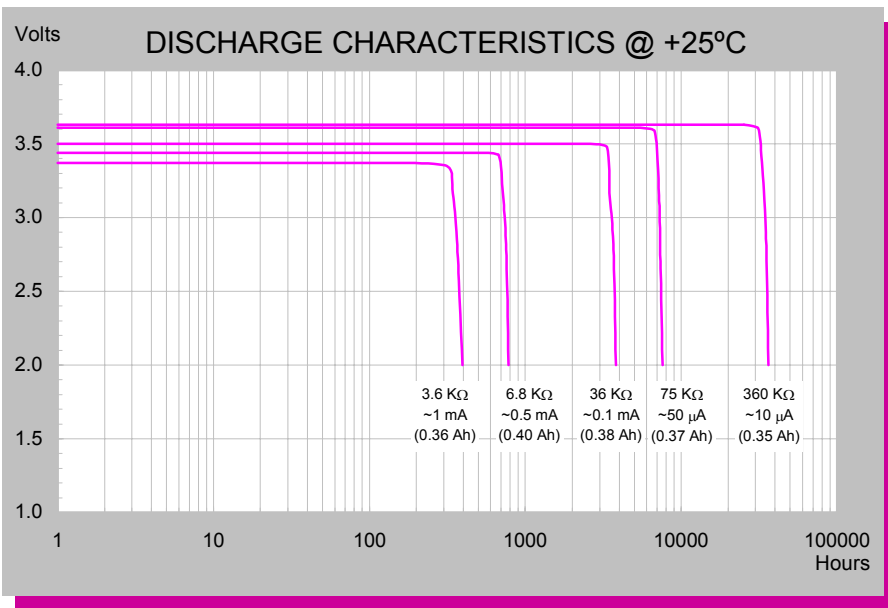
- Nominal capacity @ 0.5 mA, to 2V 0.40 Ah
- Rated voltage 3.6 V
- Weight 5.7g (0.201 oz)
- Volume 1.35 cc
- Operating temperature range -55°C to +85°C
- U.L. Component Recognition MH 12193

# TADIRAN LITHIUM BATTERIES



### ADDITIONAL INFORMATION

SUFFIX: /P TIN PLATED NICKEL PINS  
CATALOGUE NO.: 15-5186-43000



# MEMORY BACKUP

Note: Any presentations in this data sheet concerning performance are for information purpose only and are not construed as warranties either expressed or implied, of future performance. Rev. D 05/03