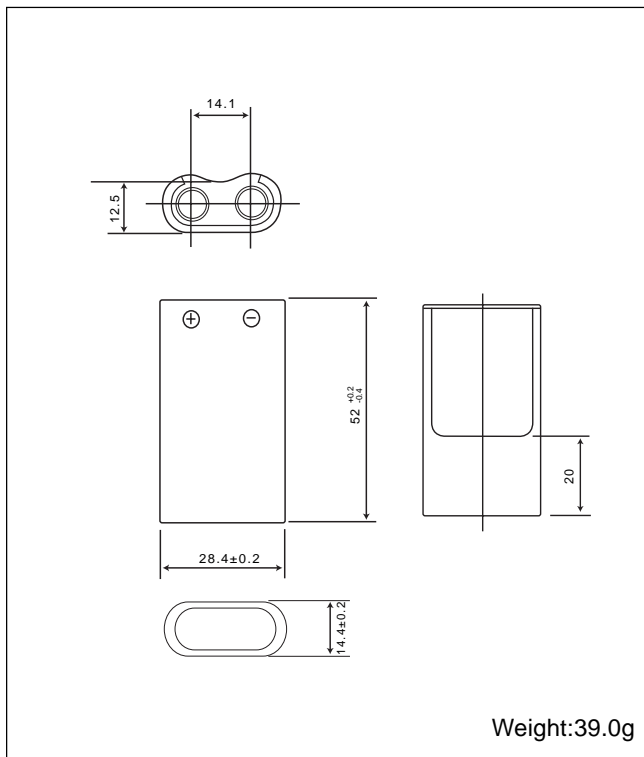


Manganese Dioxide Lithium Cylindrical Batteries: Individual Specifications

CR-V3p

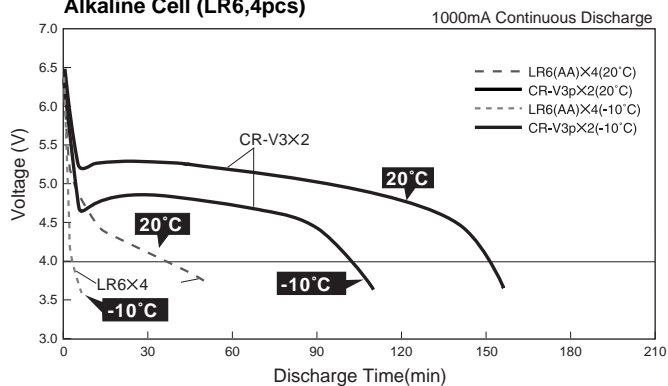
■ Dimensions(mm)



■ Specification

Nominal voltage (V)	3
Nominal capacity (mAh)	3,000
Continuous standard load (mA)	200
Operating temperature (C)	-40 ~ +70°

Discharge Characteristics of CR-V3p(2pc)and"AA" Alkaline Cell (LR6,4pcs)



* Please consult Panasonic for use below and above -20°C to +60°C