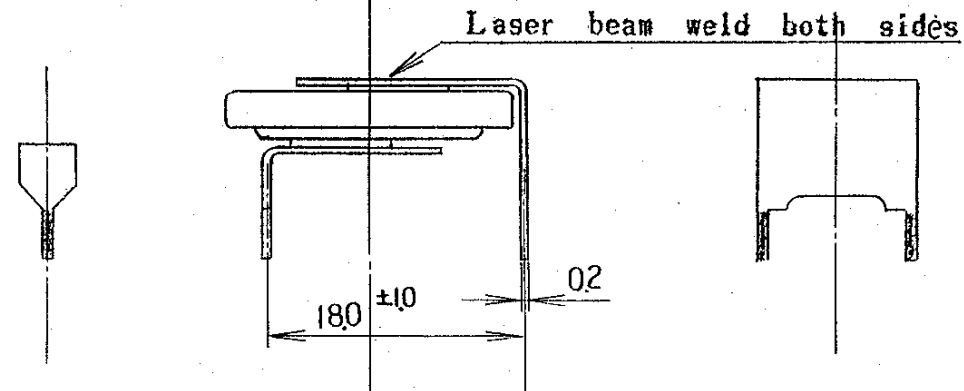
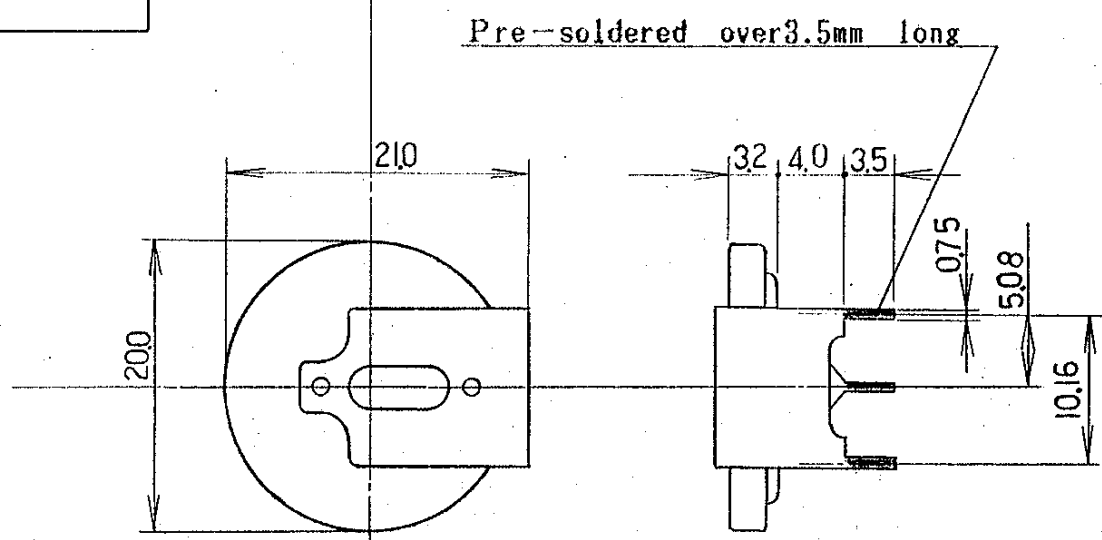


| Sym. | Date | Revision | Signed | checked |
|------|------|----------|--------|---------|
|      |      |          |        |         |
|      |      |          |        |         |
|      |      |          |        |         |

Finish Marks



Unit:mm

指示ナキ角ハ糸面取りノ事 (150)  
IF NOT INDICATED MUST BE LESS THAN 0.2C

| Sym. | Item or Code No. | Material & Size | qt. | Process | Remark |
|------|------------------|-----------------|-----|---------|--------|
| E    | J                | Spare Parts     |     |         |        |
| E    |                  |                 |     |         |        |
|      |                  |                 |     |         |        |

|       |   |          |      |       |        |         |      |          |    |           |            |           |        |
|-------|---|----------|------|-------|--------|---------|------|----------|----|-----------|------------|-----------|--------|
| Scale | 2 | Designed | K.M. | Drawn | Traced | Checked | Y.O. | Approved | af | Jap. Name | BR2032-1GU |           |        |
|       | 1 |          |      |       |        |         |      |          |    | Eng. Name | M. No.     | PS-E20084 | A. No. |