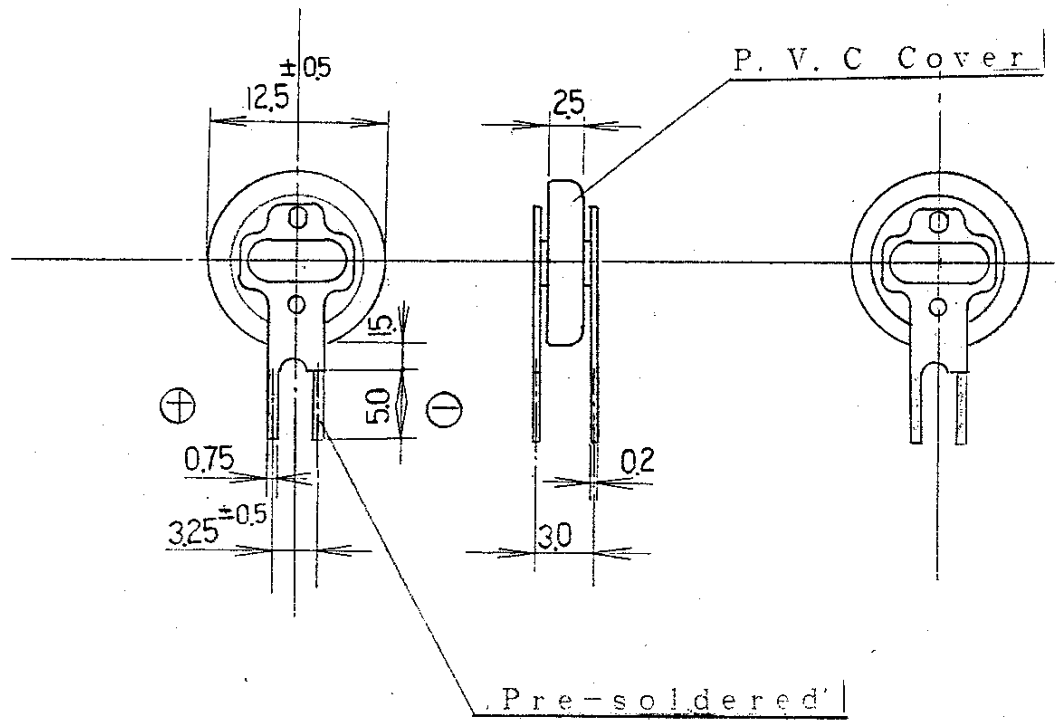


Sym.	Date	Revision	Signed	checked

Finish Marks



Laser beam weld both sides

Unit : mm

指示ナキ角ハ糸面取りノ事 (ISO)
IF NOT INDICATED MUST BE LESS THAN 0.2C

Sym.	Item or Code No.	Material & Size	qt.	Process	Remark
E	J	Spare Parts			
	E				
				Jap. Name	
				Eng. Name	BR1225-1VC
Scale	2/1	Designed	Drawn	Traced	Checked
		286-B-1/4			g.o.
					Approved
					K.M
				M. No.	A. No.
					F. No.

Downloaded from Elcodis.com electronic components distributor