



1.8V PHASE LOCKED LOOP DIFFERENTIAL 1:10 SDRAM CLOCK DRIVER

IDTCSPU877D

FEATURES:

- 1 to 10 differential clock distribution
- Optimized for clock distribution in DDR2 (Double Data Rate) SDRAM applications
- Operating frequency: 125MHz to 340MHz
- Very low skew: $\leq 40\text{ps}$
- Very low jitter: $\leq 40\text{ps}$
- 1.8V AVDD and 1.8V VDDO
- CMOS control signal input
- Test mode enables buffers while disabling PLL
- Low current power-down mode
- Tolerant of Spread Spectrum input clock
- Available in 52-Ball VFBGA and 40-pin MFL packages

APPLICATIONS:

- Meets or exceeds JEDEC standard 82.8 for registered DDR2 clock driver
- Along with SSTU32864/65/66, DDR2 register, provides complete solution for DDR2 DIMMs

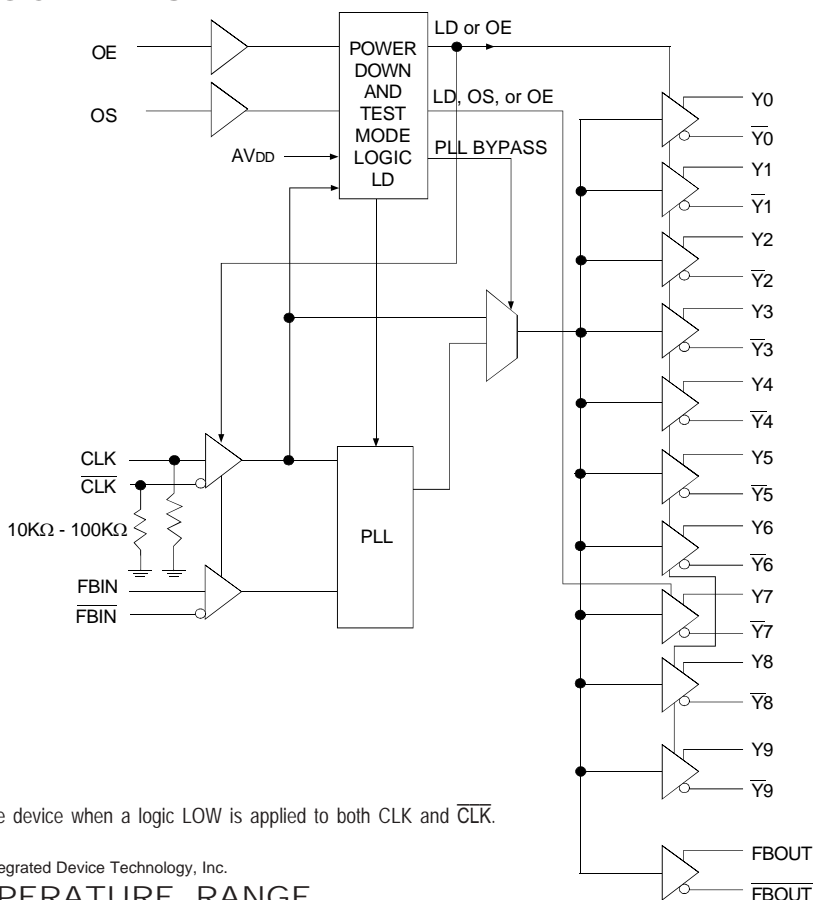
DESCRIPTION:

The CSPU877D is a PLL based clock driver that acts as a zero delay buffer to distribute one differential clock input pair (CLK, $\overline{\text{CLK}}$) to 10 differential output pairs ($\overline{\text{Y}}[0:9]$, Y [0:9]) and one differential pair of feedback clock output (FBOUT, $\overline{\text{FBOUT}}$). External feedback pins (FBIN, $\overline{\text{FBIN}}$) for synchronization of the outputs to the input reference is provided. OE, OS, and AVDD control the power-down and test mode logic. When AVDD is grounded, the PLL is turned off and bypassed for test mode purposes. When the differential clock inputs (CLK, $\overline{\text{CLK}}$) are both at logic low, this device will enter a low power-down mode. In this mode, the receivers are disabled, the PLL is turned off, and the output clock drivers are disabled, resulting in a current consumption device of less than 500 μA .

The CSPU877D requires no external components and has been optimised for very low phase error, skew, and jitter, while maintaining frequency and duty cycle over the operating voltage and temperature range. The CSPU877D, designed for use in both module assemblies and system motherboard based solutions, provides an optimum high-performance clock source.

The CSPU877D is available in Commercial Temperature Range (0°C to +70°C). See Ordering Information for details.

FUNCTIONAL BLOCK DIAGRAM



NOTE:

The Logic Detect (LD) powers down the device when a logic LOW is applied to both CLK and $\overline{\text{CLK}}$.

The IDT logo is a registered trademark of Integrated Device Technology, Inc.

COMMERCIAL TEMPERATURE RANGE

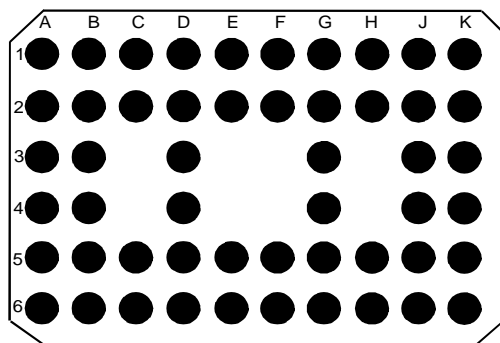
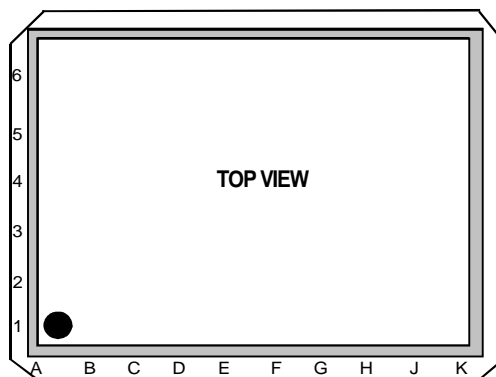
AUGUST 2004

PIN CONFIGURATION

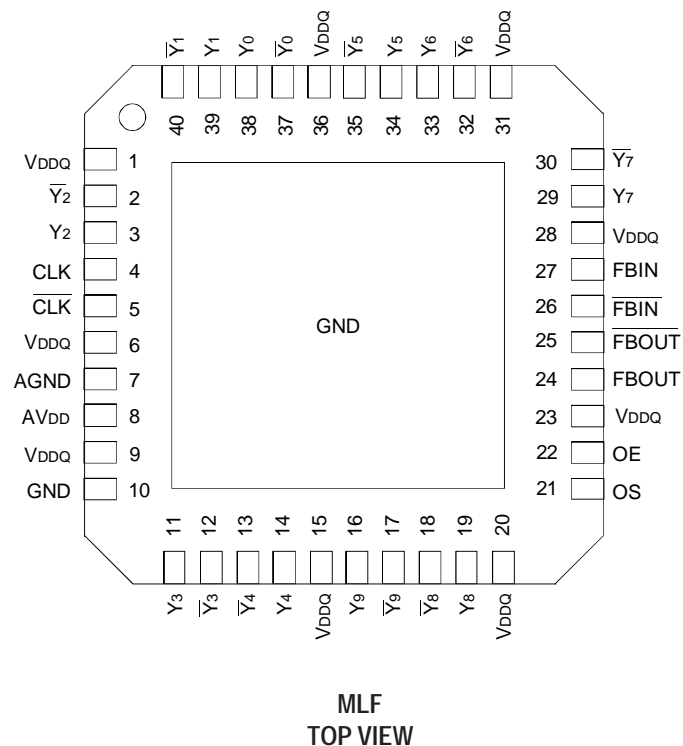
| | | | | | | | | | | |
|---|-----------------|-----------------|-----------------|------|------|-------------------|--------------------|-------|-----|-----------------|
| 6 | Y6 | $\overline{Y6}$ | $\overline{Y7}$ | Y7 | FBIN | \overline{FBIN} | $\overline{FBOU7}$ | FBOU7 | Y8 | $\overline{Y8}$ |
| 5 | Y5 | GND | GND | OS | VDDQ | OE | VDDQ | GND | GND | $\overline{Y9}$ |
| 4 | $\overline{Y5}$ | GND | NB | VDDQ | NB | NB | VDDQ | NB | GND | Y9 |
| 3 | $\overline{Y0}$ | GND | NB | VDDQ | NB | NB | VDDQ | NB | GND | Y4 |
| 2 | Y0 | GND | GND | VDDQ | VDDQ | VDDQ | VDDQ | GND | GND | $\overline{Y4}$ |
| 1 | Y1 | $\overline{Y1}$ | $\overline{Y2}$ | Y2 | CLK | \overline{CLK} | AGND | AVDD | Y3 | $\overline{Y3}$ |
| | A | B | C | D | E | F | G | H | J | K |

VFBGA
TOP VIEW

52 BALL VFBGA PACKAGE LAYOUT



PIN CONFIGURATION



ABSOLUTE MAXIMUM RATINGS^(1,2)

| Symbol | Rating | Max | Unit |
|--|--|--------------------------------|------|
| V _{DDQ} , AV _{DD} | Supply Voltage Range | -0.5 to +2.5 | V |
| V _I ⁽³⁾ | Input Voltage Range | -0.5 to V _{DDQ} + 0.5 | V |
| V _O ⁽³⁾ | Voltage range applied to any output in the high or low state | -0.5 to V _{DDQ} + 0.5 | V |
| I _{IK} (V _I < 0) | Input clamp current | ±50 | mA |
| I _{OK} (V _O < 0 or V _O > V _{DDQ}) | Output Clamp Current | ±50 | mA |
| I _O (V _O = 0 to V _{DDQ}) | Continuous Output Current | ±50 | mA |
| V _{DDQ} or GND | Continuous Current | ±100 | mA |
| TSTG | Storage Temperature Range | - 65 to +150 | °C |

NOTES:

- Stresses greater than those listed under ABSOLUTE MAXIMUM RATINGS may cause permanent damage to the device. This is a stress rating only and functional operation of the device at these or any other conditions above those indicated in the operational sections of this specification is not implied. Exposure to absolute maximum rating conditions for extended periods may affect reliability.
- The maximum package power dissipation is calculated using a junction temperature of 150°C and a board trace length of 750 mils.
- The input and output negative-voltage ratings may be exceeded if the input and output clamp-current ratings are observed. This value is limited to 2.5V max.

CAPACITANCE⁽¹⁾

| Parameter | Description | Min. | Typ. | Max. | Unit |
|-----------------|---|------|------|------|------|
| C _{IN} | Input Capacitance V _I = V _{DDQ} or GND | 2 | — | 3 | pF |
| C _{IΔ} | Delta Input Capacitance CLK, CLK-bar, FBIN, FBIN-bar | | | 0.25 | pF |
| C _L | Load Capacitance | — | 10 | — | pF |

NOTE:

- Unused inputs must be held high or low to prevent them from floating.

RECOMMENDED OPERATING CONDITIONS

| Symbol | Parameter | Min. | Typ. | Max. | Unit |
|---------------------------------|--------------------------------|------|------------------|------|------|
| AV _{DD} ⁽¹⁾ | Supply Voltage | | V _{DDQ} | | V |
| V _{DDQ} | I/O Supply Voltage | 1.7 | 1.8 | 1.9 | V |
| T _A | Operating Free-Air Temperature | 0 | — | +70 | °C |

NOTE:

- The PLL is turned off and bypassed for test purposes when AV_{DD} is grounded. During this test mode, V_{DDQ} remains within the recommended operating conditions and no timing parameters are guaranteed.

PIN DESCRIPTION (VFBGA)

| Pin Name | Pin Number | Description |
|---------------------------------|--|---|
| AGND | G1 | Ground for 1.8V analog supply |
| AV _{DD} | H1 | 1.8V analog supply |
| CLK, $\overline{\text{CLK}}$ | E1, F1 | Differential clock input with a 10K Ω to 100K Ω pulldown resistor |
| FBIN, $\overline{\text{FBIN}}$ | E6, F6 | Feedback differential clock input |
| $\overline{\text{FBOU}}$, FBOU | G6, H6 | Feedback differential clock output |
| GND | B2 - B5, C2, C5, H2, H5, J2 - J5 | Ground |
| V _{DDQ} | D2 - D4, E2, E5, F2, G2 - G5 | 1.8V supply |
| OE | F5 | Output Enable |
| OS | D5 | Output Select (tied to GND or V _{DDQ}) |
| $\overline{\text{Y}}_{[0:9]}$ | A3, A4, B1, B6, C1, C6, K1, K2, K5, K6 | Buffered output of input clock, $\overline{\text{CLK}}$ |
| Y _[0:9] | A1, A2, A5, A6, D1, D6, J1, J6, K3, K4 | Buffered output of input clock, CLK |
| NB | | No Ball |

PIN DESCRIPTION (MLF)

| Pin Name | Pin Number | Description |
|---------------------------------|---------------------------------------|---|
| AGND | 7 | Ground for 1.8V analog supply |
| AV _{DD} | 8 | 1.8V analog supply |
| CLK, $\overline{\text{CLK}}$ | 4, 5 | Differential clock input with a 10K Ω to 100K Ω pulldown resistor |
| FBIN, $\overline{\text{FBIN}}$ | 26, 27 | Feedback differential clock input |
| $\overline{\text{FBOU}}$, FBOU | 24, 25 | Feedback differential clock output |
| GND | 10 | Ground |
| V _{DDQ} | 1, 6, 9, 15, 20, 23, 28, 31, 36 | 1.8V supply |
| OE | 22 | Output Enable |
| OS | 21 | Output Select (tied to GND or V _{DDQ}) |
| Y _[0:9] | 3, 11, 14, 16, 19, 29, 33, 34, 38, 39 | Buffered output of input clock, CLK |
| $\overline{\text{Y}}_{[0:9]}$ | 2, 12, 13, 17, 18, 30, 32, 35, 37, 40 | Buffered output of input clock, $\overline{\text{CLK}}$ |
| NB | | No Ball |

FUNCTION TABLE(1,2)

| INPUTS | | | | | OUTPUTS | | | | PLL |
|------------|----|----|------------------|------------------|----------------------|----------------------|------|------|-----|
| AVDD | OE | OS | CLK | CLK | Y | Y | FBOU | FBOU | |
| GND | H | X | L | H | L | H | L | H | OFF |
| GND | H | X | H | L | H | L | H | L | OFF |
| GND | L | H | L | H | L(z) | L(z) | L | H | OFF |
| GND | L | L | H | L | L(z) Y7 Active | L(z) Y7 Active | H | L | OFF |
| 1.8V (nom) | L | H | L | H | L(z) | L(z) | L | H | ON |
| 1.8V (nom) | L | L | H | L | L(z) Y7 Active | L(z) Y7 Active | H | L | ON |
| 1.8V (nom) | H | X | L | H | L | H | L | H | ON |
| 1.8V (nom) | H | X | H | L | H | L | H | L | ON |
| 1.8V (nom) | X | X | L ⁽³⁾ | L ⁽³⁾ | L(z) | L(z) | L(z) | L(z) | OFF |
| X | X | X | H | H | Reserved | | | | |

NOTES:

- H = HIGH Voltage Level
L = LOW Voltage Level
X = Don't Care
- L(z) means the outputs are disabled to a LOW state, meeting the I_{oL} limit in DC Electrical Characteristics table.
- The device will enter a low power-down mode when CLK and CLK are both at logic LOW.

DC ELECTRICAL CHARACTERISTICS OVER OPERATING RANGE

Following Conditions Apply Unless Otherwise Specified:

Commercial: TA = 0°C to +70°C

| Symbol | Parameter | Conditions | Min. | Typ. | Max. | Unit |
|-------------------------------------|--|---|------------------------|------|------------------------|------|
| V _{IK} | Input Clamp Voltage (All Inputs) | V _{DDQ} = 1.7V, I _I = -18mA | — | — | -1.2 | V |
| V _{IL} ⁽²⁾ | Input LOW Voltage (OE, OS, CLK, CLK) | | — | — | 0.35V _{DDQ} | V |
| V _{IH} ⁽²⁾ | Input HIGH Voltage (OE, OS, CLK, CLK) | | 0.65V _{DDQ} | — | — | |
| V _{IN} ⁽¹⁾ | Input Signal Voltage | | -0.3 | — | V _{DDQ} + 0.3 | V |
| V _{ID} (DC) ⁽²⁾ | DC Input Differential Voltage | | 0.3 | — | V _{DDQ} + 0.4 | V |
| V _{OD} ⁽³⁾ | Output Differential Voltage | AVDD/VDDQ = 1.7V | 0.5 | — | — | V |
| V _{OH} | Output HIGH Voltage | I _{OH} = -100μA, V _{DDQ} = 1.7V to 1.9V | V _{DDQ} - 0.2 | — | — | V |
| | | I _{OH} = -9mA, V _{DDQ} = 1.7V | 1.1 | — | — | |
| V _{OL} | Output LOW Voltage | I _{OL} = 100μA, V _{DDQ} = 1.7V to 1.9V | — | — | 0.1 | V |
| | | I _{OL} = 9mA, V _{DDQ} = 1.7V | — | — | 0.6 | |
| I _{ODL} | Output Disabled LOW Current | OE = L, V _{ODL} = 100mV, AVDD/VDDQ = 1.7V | 100 | — | — | μA |
| I _{IN} | Input Current | CLK, CLK | | | ±250 | μA |
| | | OE, OS, FBIN, FBIN | | | ±10 | |
| I _{DDL} | Static Supply Current (I _{DDQ} and I _{ADD}) | AVDD/VDDQ = Max., CLK and CLK = GND | | | 500 | μA |
| I _{DD} | Dynamic Power Supply Current (I _{DDQ} and I _{ADD}) ^(4,5) | AVDD/VDDQ = Max., CLK = 270MHz | | | 300 | mA |

NOTES:

- V_{IN} specifies the allowable DC excursion of each different output.
- V_{ID} is the magnitude of the difference between the input level on CLK and the input level on CLK. The CLK and CLK V_{IH} and V_{IL} limits are used to define the DC LOW and HIGH levels for the power down mode.
- V_{OD} is the magnitude of the difference between the true output level and the complementary level.
- All Outputs are left open (unconnected to PCB).
- Total I_{DD} = I_{DDQ} + I_{ADD} = F_{CK} * C_{PD} * V_{DDQ}, for C_{PD} = (I_{DDQ} + I_{ADD}) / (F_{CK} * V_{DDQ}) where F_{CK} is the input frequency, V_{DDQ} is the power supply, and C_{PD} is the Power Dissipation Capacitance.

TIMING REQUIREMENTS

| Symbol | Parameter | Min. | Max. | Unit |
|------------------|--|------|------|------|
| f _{CLK} | Operating Clock Frequency ^(1,2,3) | 125 | 340 | MHz |
| | Application Clock Frequency ^(1,3,4) | 160 | 340 | MHz |
| t _{DC} | Input Clock Duty Cycle | 40 | 60 | % |
| t _L | Stabilization Time ⁽⁵⁾ | — | 15 | μs |

NOTES:

- The PLL will track a spread spectrum clock input.
- Operating clock frequency is the range over which the PLL will lock, but may not meet all timing specifications. To be used only for low speed system debug.
- Will lock to input frequency as low as 30MHz at room temperature and nominal or higher supply voltage (1.8V - 1.9V).
- Application clock frequency is the range over which timing specifications apply.
- Stabilization time is the time required for the integrated PLL circuit to obtain phase lock of its feedback signal to its reference signal after power up. During normal operation, the stabilization time is also the time required for the PLL circuit to obtain phase lock of its feedback signal to its reference signal when CLK and $\overline{\text{CLK}}$ go to a logic LOW state, enters the power-down mode, and later return to active operation. CLK and $\overline{\text{CLK}}$ may be left floating after they have been driven LOW for one complete clock cycle.

AC ELECTRICAL CHARACTERISTICS⁽¹⁾

| Symbol | Description | Test Conditions | Min. | Typ. ⁽²⁾ | Max. | Unit |
|--|---|---|----------------------------|---------------------|----------------------------|------|
| t _{PLH} ⁽²⁾ | LOW to HIGH Level Propagation Delay Time | AVDD = GND, OE = H, OS = L, CLK to any output | | TBD | | ns |
| t _{PHL} ⁽²⁾ | HIGH to LOW Level Propagation Delay Time | AVDD = GND, OE = H, OS = L, CLK to any output | | TBD | | ns |
| t _{JIT(CC+)} | Jitter (cycle-to-cycle) | 166/200/266MHz | 0 | | 40 | ps |
| t _{JIT(CC-)} | | | 0 | | -40 | |
| t _{JIT(PER)} ⁽³⁾ | Jitter (period) | 166/200/266MHz | -40 | | 40 | ps |
| t _{JIT(HPER)} ⁽³⁾ | Half-Period Jitter | 166/200/266MHz | -60 | | 60 | ps |
| t _{SLR(O)} ^(1,4) | Output Clock Slew Rate (single-ended) | 166/200/266MHz (20% to 80%) | 1.5 | 2.5 | 3 | V/ns |
| t _{SLR(I)} ^(1,4) | Output Enable (OE) | | 0.5 | — | — | V/ns |
| | Input Clock Slew Rate | | 1 | 2.5 | 4 | |
| t _(∅) ⁽⁵⁾ | Static Phase Offset | 166/200/266MHz | -50 | | 50 | ps |
| t _{(∅)DYN} | Dynamic Phase Offset | 166/200/266MHz | -50 | | 50 | ps |
| t _{SK(O)} | Output Skew | | | | 40 | ps |
| t _{EN} | Output Enable to any Y or \overline{Y} | | | | 8 | ns |
| t _{DIS} | Output Disable to any Y or \overline{Y} | | | | 8 | ns |
| V _{OX} ⁽⁶⁾ | AC Differential Output Crosspoint Voltage | Differential outputs terminated with 120Ω | (V _{DDQ} /2)-0.1 | | (V _{DDQ} /2)+0.1 | V |
| V _{ID(AC)} | AC Differential Input Voltage | | 0.6 | | V _{DDQ} +0.4 | V |
| V _{IX} | AC Differential Input Crosspoint Voltage | | (V _{DDQ} /2)-0.15 | | (V _{DDQ} /2)+0.15 | V |
| The PLL on the CSPU877D will meet all the above test parameters while supporting SSC synthesizers with the following parameters: | | | | | | |
| SSC | Modulation Frequency | | 30 | — | 33 | KHz |
| SSC | Clock Input Frequency Deviation | | 0 | — | -0.5 | % |
| f _{3dB} | PLL Loop Bandwidth | | 2 | | | MHz |

NOTES:

- There are two different terminations that are used with the above AC tests. The output load shown in figure 1 is used to measure the input and output differential pair cross-voltage only. The output load shown in figure 2 is used to measure all other tests, including input and output slew rates. For consistency, use 50Ω equal length cables with SMA connectors on the test board.
- Refers to transition of non-inverting output.
- Period jitter and half-period jitter specifications are separate specifications that must be met independently of each other.
- To eliminate the impact of input slew rates on static phase offset, the input slew rates of reference clock input (CLK, $\overline{\text{CLK}}$) and feedback clock input (FBIN, $\overline{\text{FBIN}}$) are recommended to be nearly equal. The 2.5V/ns slew rates are shown as a recommended target. Compliance with these nominal values is not mandatory if it can be adequately demonstrated that alternative characteristics meet the requirements of the registered DDR2 DIMM application.
- Static phase offset does not include jitter.
- V_{ox} is specified at the DDR DRAM clock input or test load.

TEST CIRCUIT AND SWITCHING WAVEFORMS

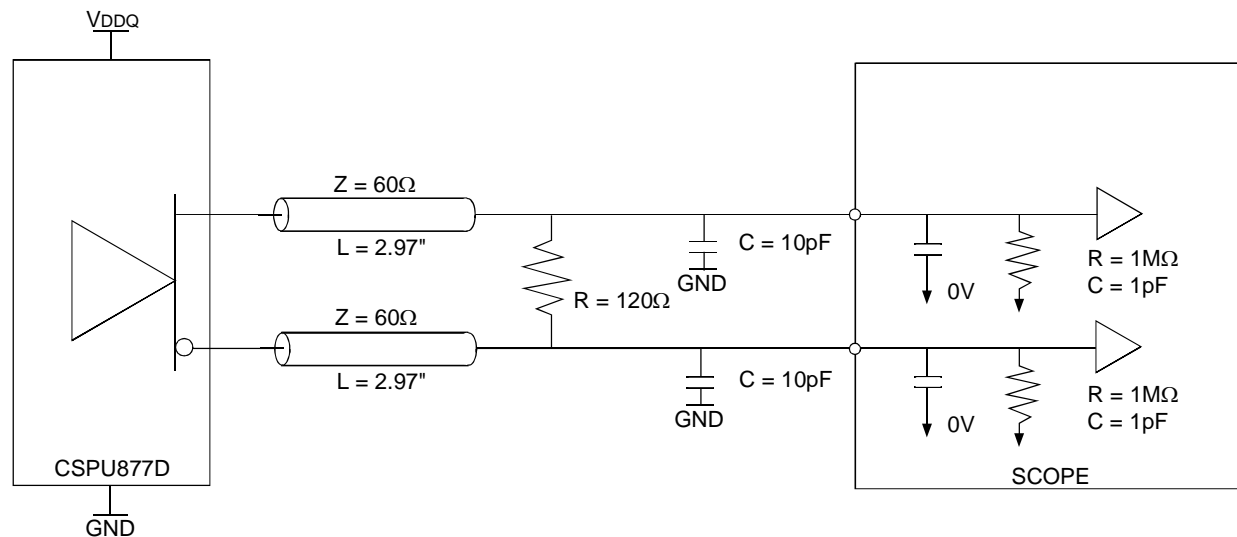


Figure 1: Output Load Test Circuit 1

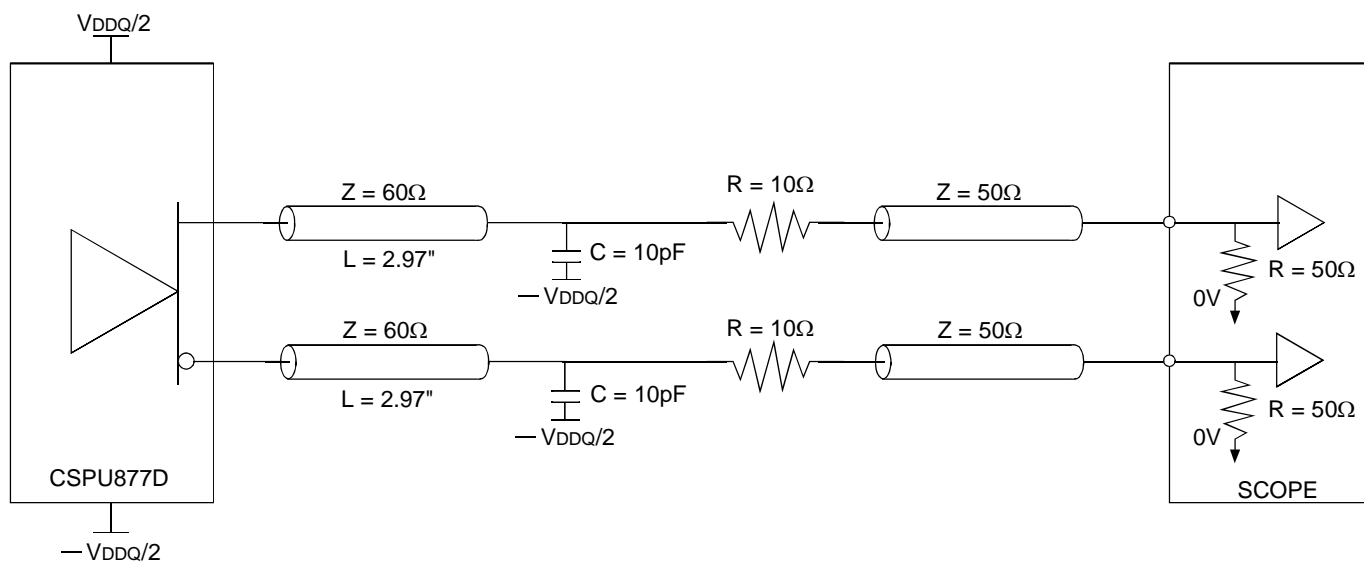
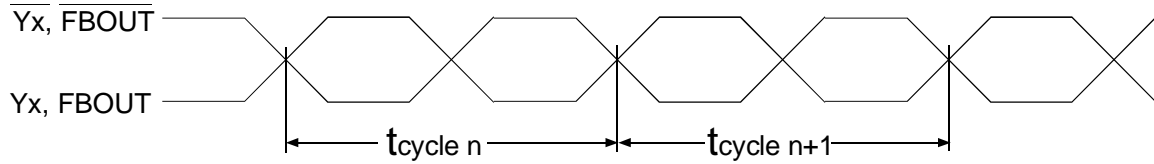


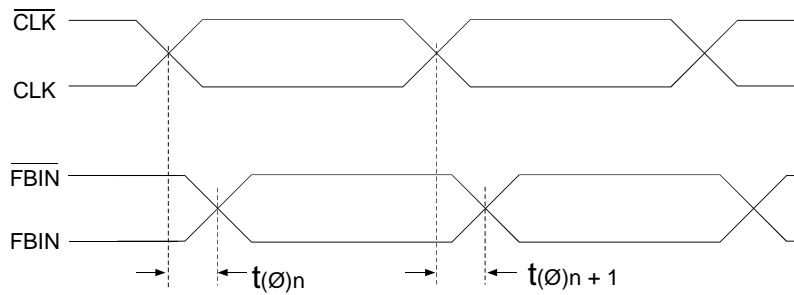
Figure 2: Output Load Test Circuit 2

TEST CIRCUIT AND SWITCHING WAVEFORMS



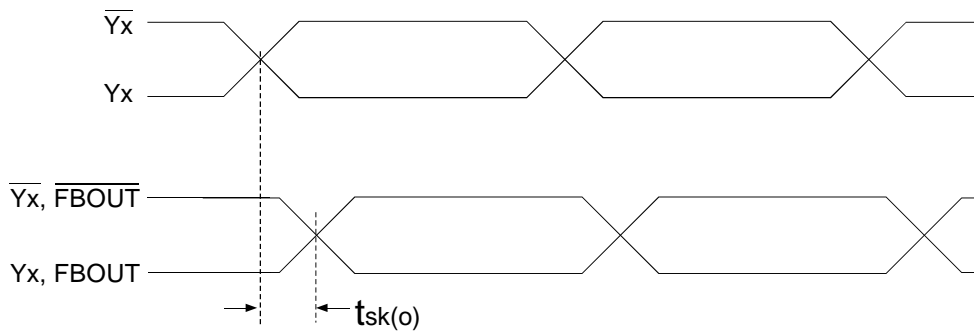
$$t_{jit(cc)} = t_{cycle\ n} - t_{cycle\ n+1}$$

Cycle-to-Cycle jitter



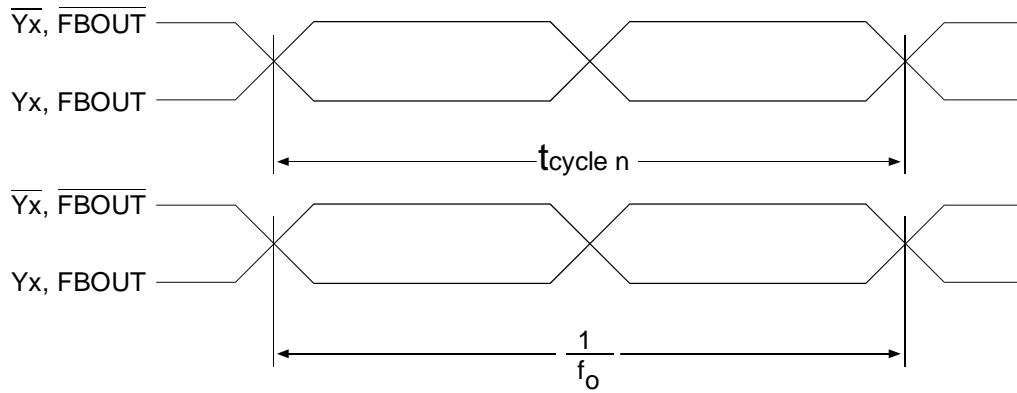
$$t(\emptyset) = \frac{\sum_{n=1}^{n=N} t(\emptyset)_n}{N} \quad (N \text{ is a large number of samples})$$

Static Phase Offset



Output Skew

TEST CIRCUIT AND SWITCHING WAVEFORMS

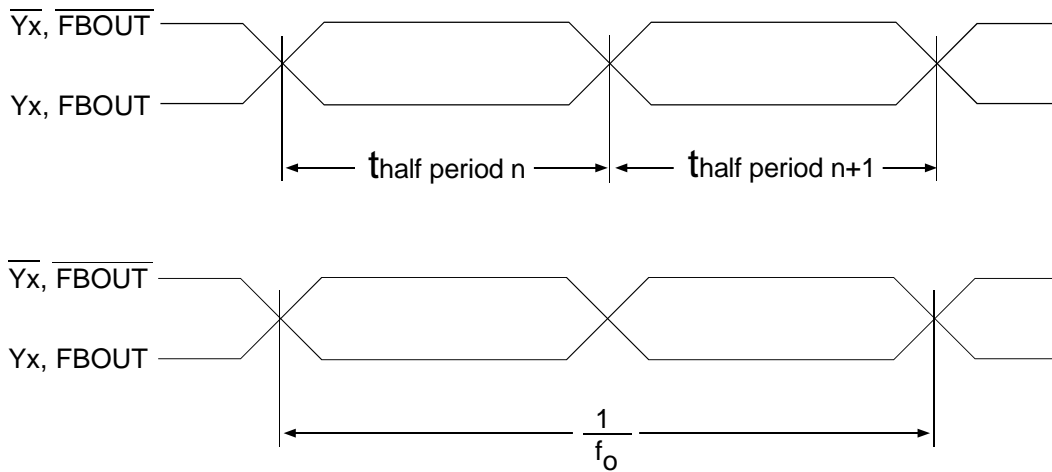


$$t_{\text{jit(per)}} = t_{\text{cycle } n} - \frac{1}{f_0}$$

NOTE:

f_0 = Average input frequency measured at CLK / $\overline{\text{CLK}}$

Period jitter



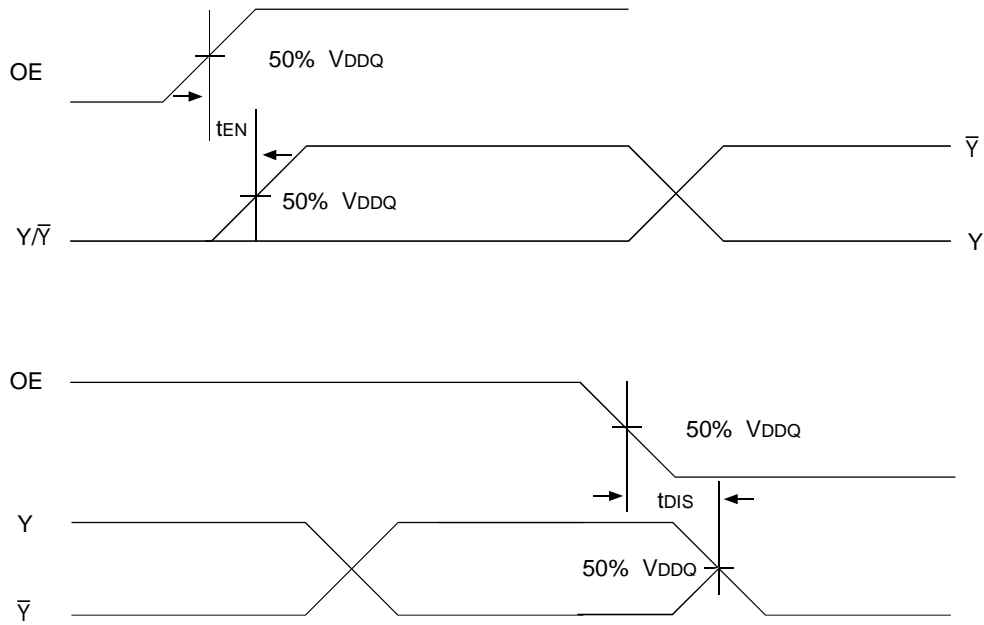
$$t_{\text{jit(hper)}} = t_{\text{half period } n} - \frac{1}{2 \cdot f_0}$$

NOTE:

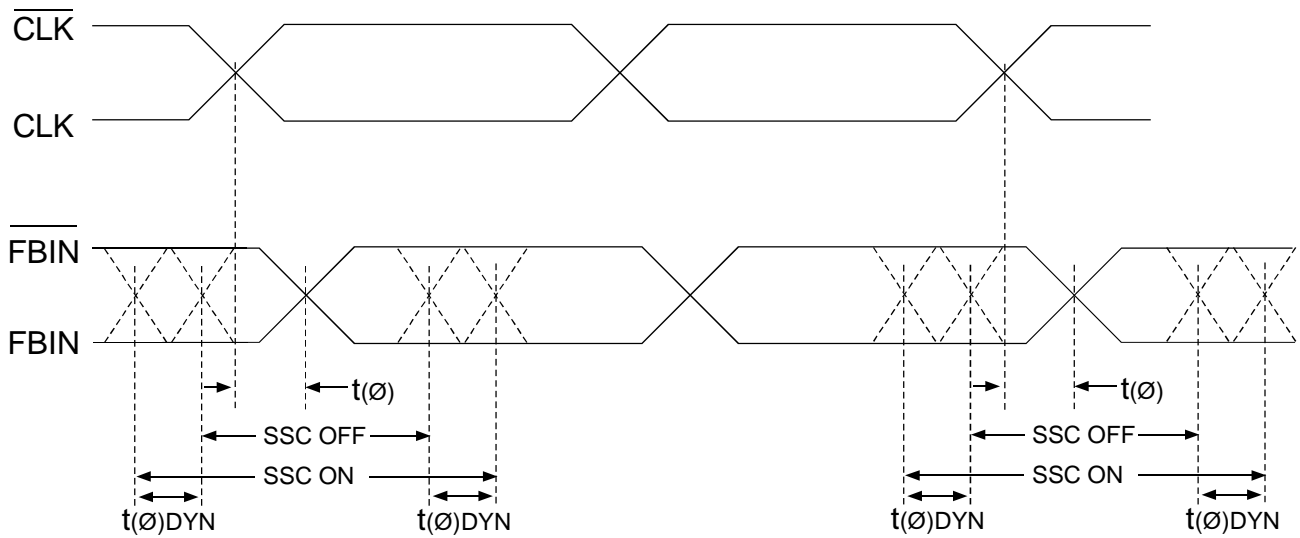
f_0 = Average input frequency measured at CLK / $\overline{\text{CLK}}$

Half-Period jitter

TEST CIRCUIT AND SWITCHING WAVEFORMS

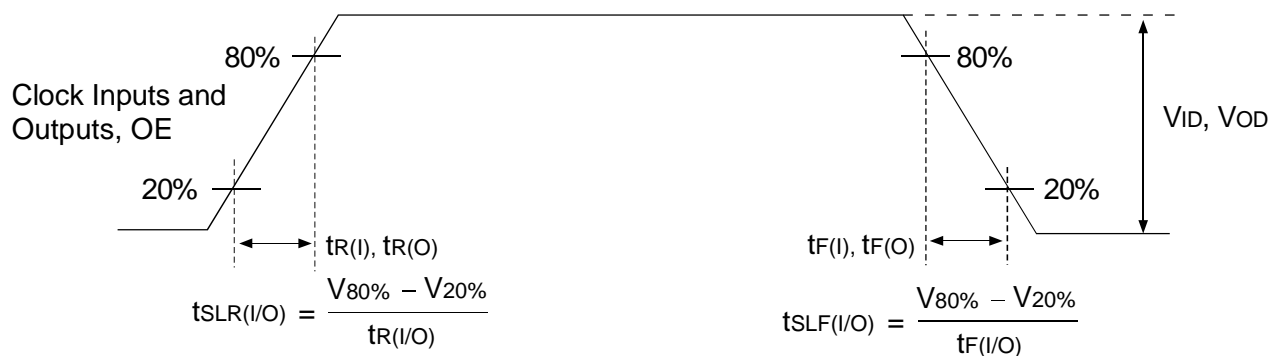


Time Delay Between Output Enable (OE) and Clock Output (Y, \bar{Y})

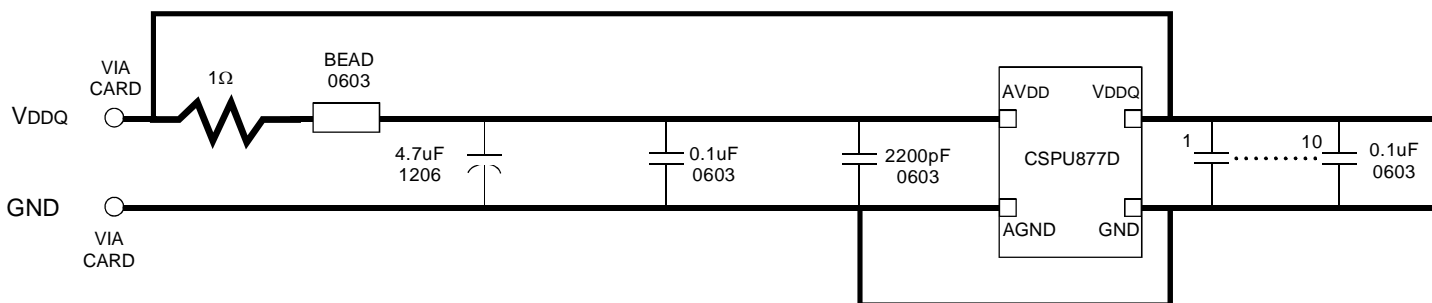


Dynamic Phase Offset

TEST CIRCUIT AND SWITCHING WAVEFORMS



Input and Output Slew Rates



NOTES:

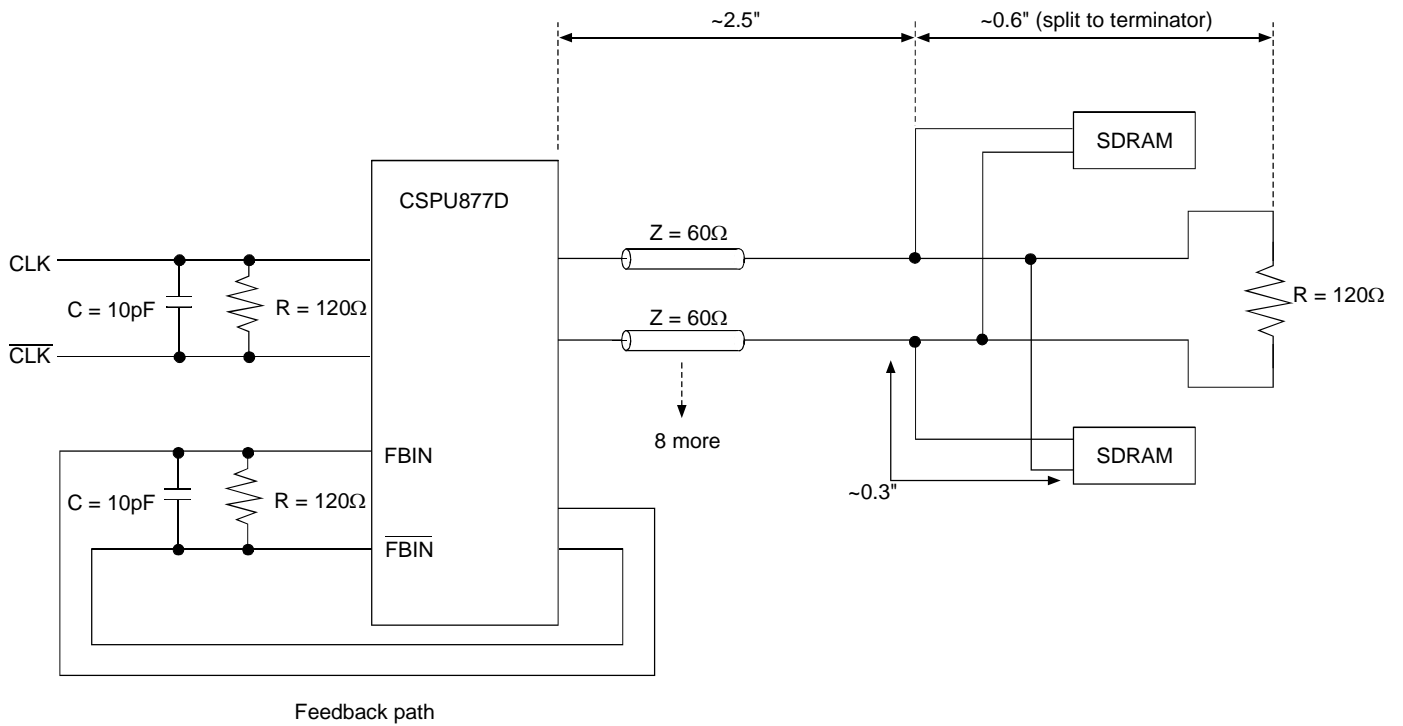
- Place all decoupling capacitors as close to the CSPU877D pins as possible.
- Use wide traces for AV_{DD} and $AGND$.
- Recommended bead: Fair-rite P/N 2506036017Y0 or equivalent (0.8Ω DC max., 600Ω at 100MHz).

Recommended Filtering for the Analog and Digital Power Supplies (AV_{DD} and V_{DDQ})

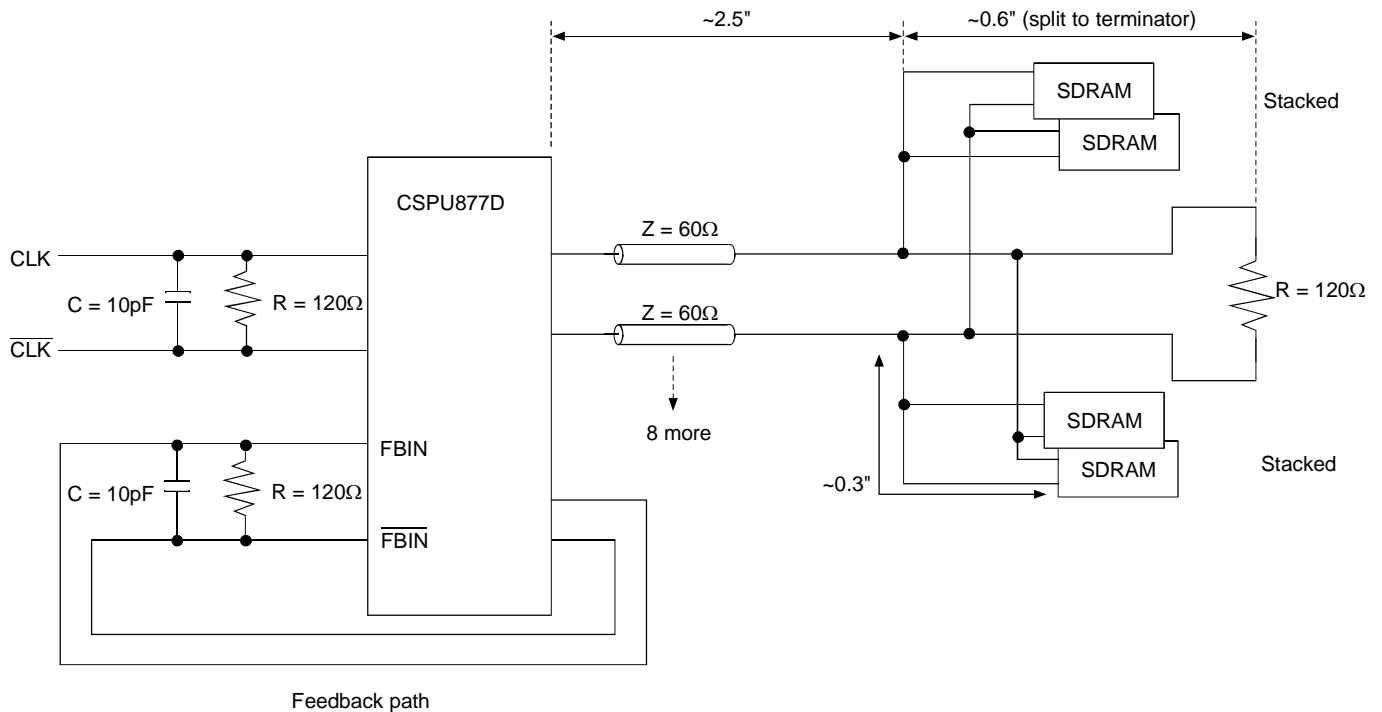
APPLICATION INFORMATION

| Clock Structure | # of SDRAM Loads per Clock | Clock Loading on the PLL outputs (pF) | |
|-----------------|----------------------------|---------------------------------------|------|
| | | Min. | Max. |
| #1 | 2 | 3 | 5 |
| #2 | 4 | 6 | 10 |

APPLICATION INFORMATION



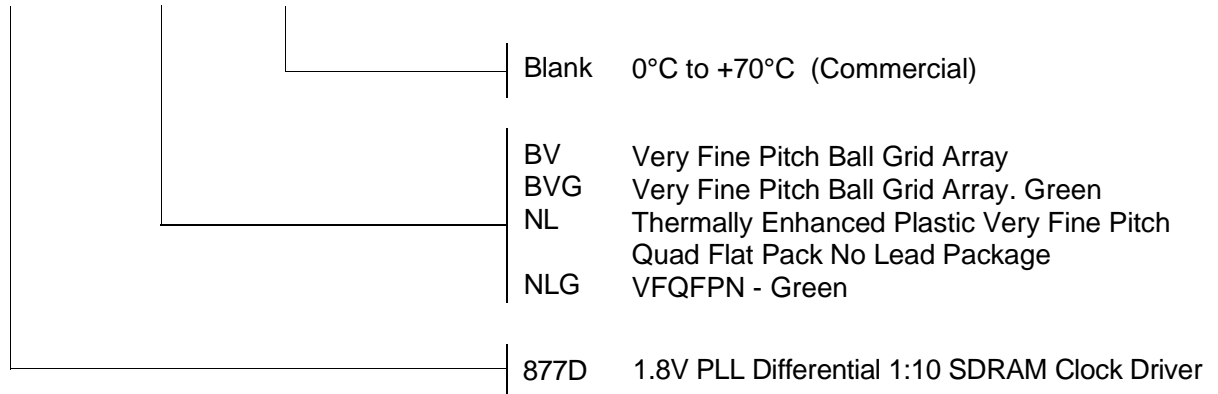
Clock Structure 1



Clock Structure 2

ORDERING INFORMATION

IDTCSPU XXXXX XX X
Device Type Package Process



CORPORATE HEADQUARTERS
2975 Stender Way
Santa Clara, CA 95054

for SALES:
800-345-7015 or 408-727-6116
fax: 408-492-8674
www.idt.com

for Tech Support:
logichelp@idt.com
(408) 654-6459