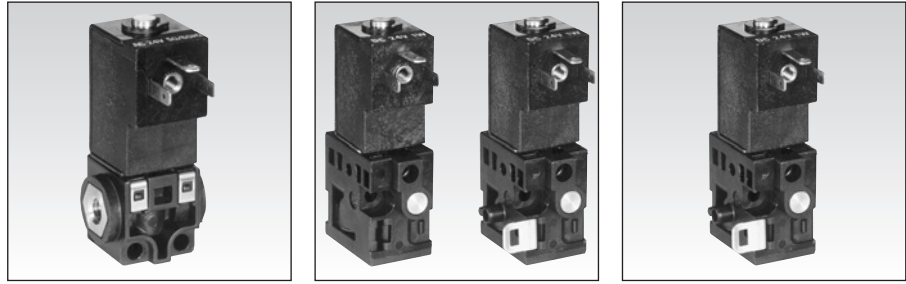


# Standard 2/2 miniature solenoid valves for fluids and inert gases

- Variable orientation coil
- Low power consumption : 1 W
- Quick to fit together, no tools needed



Mounting Individual Bank end valves (1 pair) Intermediate valve

## Part numbers

Orifice diameter (0.8 mm)	CV (KV) .2 (0.3)	Adjustment range psi (bar) 15>30 (1>8b)	Power 1W	NC 81 546 001	NC 81 547 001	NO 81 547 051	NC 81 547 501	NO 81 547 551
------------------------------	---------------------	---	-------------	------------------	------------------	------------------	------------------	------------------

1

## Standard features

Voltage	24V ~
Electrical connections	2.8 x 0.5 blade terminals (W7D5) at 9.4 mm centres
Fluid connection	tapped holes M5
Manual override + pressure indicator	without

## General characteristics

Response time	5 to 15 ms
Operating temperature	- 5 °C +50 °C
Viscosity range	up to 30 cst
Vibration resistance	up to 5 g
Air flow rate (at 2 bars)	15 to 40 NI/mn
Maximum switching rate	30 Hz
Weight	Individual mounting 32.5 g Bank end/inner valves 35 g
Body material	Glass-reinforced polyamide 6.6
Mechanical life (operations)	1.5 x 10 <sup>7</sup>
UL and cUL approval	MH 15085

## Accessories for 2/2 miniature solenoid valves

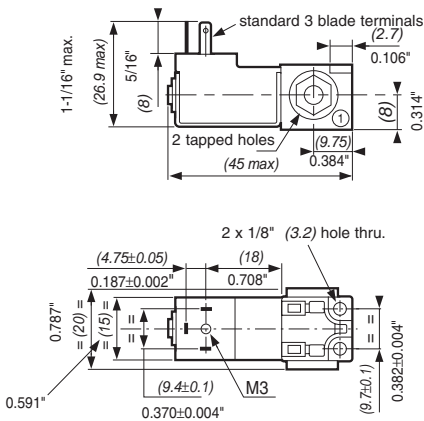
Connector for solenoid valve (see page 5/11)	81 516 082
Visual indicators (see page 5/11)	24 V-50/60 Hz CC 81 513 052 48 V-50/60 Hz AC 81 513 055 110 V-50/60 Hz AC 81 513 058 220 V-50/60 Hz AC 81 513 059
LED seal (see page 5/11)	12-24 V ~ --- 81 513 064

2

## Dimensions

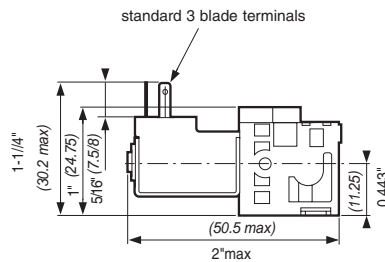
### Individual

81 546 0



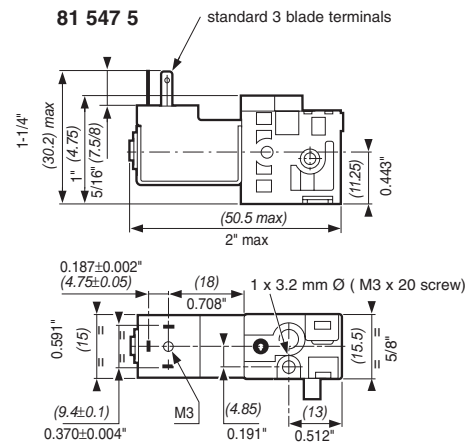
### Bank end valves (1 pair)

81 547 0



### Intermediate valve

81 547 5



Use (metric) dimensions for critical data

Other information	To order, specify :						
For options see page 7/4	<table border="0"> <tr> <td>Standard products</td> <td><b>1</b> Part number</td> <td><b>2</b> Accessory</td> </tr> <tr> <td>Standard products, non stocked</td> <td colspan="2">Example : Standard 2/2 miniature solenoid valve 81 546 001 - LED seal 81 513 064</td> </tr> </table>	Standard products	<b>1</b> Part number	<b>2</b> Accessory	Standard products, non stocked	Example : Standard 2/2 miniature solenoid valve 81 546 001 - LED seal 81 513 064	
Standard products	<b>1</b> Part number	<b>2</b> Accessory					
Standard products, non stocked	Example : Standard 2/2 miniature solenoid valve 81 546 001 - LED seal 81 513 064						

Products and specifications subject to change without notice.  
Consult factory for application assistance.

204 Airline Drive, Suite 300, Coppell, Texas 75019 / Tel: (888) 778-2733 / FAX: (888) 329-9773 / www.crouzet-usa.com

