

DK792

Loop Powered LCD Digital Panel Meters -4 1/2 digit



Features:

The **DK792** provides a loop powered 4-1/2 digit LCD meter. It is compatible with virtually any 4-20ma or 10-50ma dc process loop. Both zero and span adjustments have three ranges to further enhance the accuracy.

- Snap-in mounting (not available with backlighting)
- Fully loop compatible
- Large 1/2" numerals
- Separate zero and span adjustments
- Decimal point user selectable

Specifications:

Supply voltage	powered by the milliamp control loop
Digit Height	.5"
Input	4-20ma dc
Impedance*	300 Ω nominal
Accuracy	.1% Full Scale
Adjustments	SPAN (GAIN) and ZERO(OFFSET)
Decimal point	4 positions or none(user selectable)
Range	-19999 to +19999
Operating temp	32° to 122 $^{\circ}$ F (0-50 $^{\circ}$ C)
Max humidity	95% noncondensing
Connection	2 pin screw terminal
Cutout required	24.6mm(.969")x60.7mm(2.39")
Panel clearance	50mm(1.97")

*Impedance is rated at 24 VDC and 20mA. Exercise caution to avoid too much impedance in the current loop. Most transmitters are rated 500 to 750 Ω .

Ordering Information

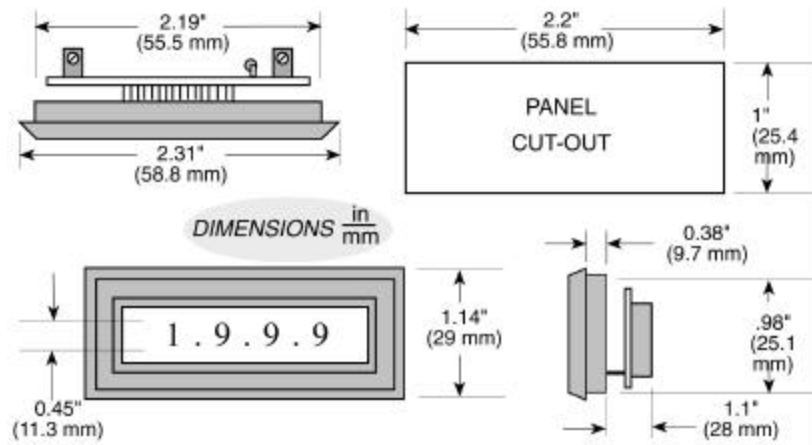
MODEL	DESCRIPTION
DK792	4 1/2 digit, 4-20mA loop powered LCD

PW2-24Regulated 120V AC to 24V DC Adaptor



C-TON Industries • PO Box 10129 • Bedford, NH, 03110 • USA
03110-0129

Dimensions



Wiring

