

LED DIGITAL PANEL METERS

Low-cost 3 1/2 Digit LCD & LED Displays for process inputs



DPMs shown actual size

Features:

- Space saving design only 0.67”(17mm) deep
- Occupies less than 2.5 x 1.1 inches of front panel space
- Choose a red or green LED
- 3-1/2 digits with 0.56” LED
- Window mount with optional bezel
- User Selectable Decimal Points
- Process input (4 to 20mA) adder board with multi-turn SPAN (GAIN) and ZERO (OFFSET) adjustments
- Loop controlled

Specifications:

Display:	
Digits:	3 1/2 Digits (±1999 counts)
Type:	0.56” (14.2mm) Red or Green 7-Segment LED
Polarity:	Automatic, “-” Displayed.
Decimal Points:	3 Position, User Selectable
Overload:	Three lower order digits blank for inputs >1999 & <-1999
Inputs:	
Ranges:	Process Inputs, 4 to 20mA
Configuration:	Bipolar, Differential
Protection:	±350V DC, (±100V DC on 200mV Range)
Loop Burden:	LED; 15 \bar{z} nominal
Performance:	
Accuracy:	±(0.1% +1 counts) Typical ±(0.2% + 2 counts) Maximum
Conversion Rate:	3 per Second
Normal Mode Rejection:	>30 db @ 60 Hz
Common Mode Range:	±1V DC
Common Mode Rej.:	>86 dB
Zero Adjustment:	Automatic
Warmup:	10 Minutes Typical
Temperature Coeff.:	±100 ppm per °C Typical
Environment:	
Operating Range:	0 to 50 °C
Storage Range:	-10 to 60 °C
Power Supply:	
Voltage:	LEDs, +5V DC (±5%)
Current:	LEDs, 200mA;
Mounting:	
LED:	Window Mount, or Bezel Mount with Optional Bezel
Process Board:	Plugs onto DPM pins, adds approx. 0.6”(16mm) to depth
Connection:	
	10 Pins, 0.025” Square on 0.1” centers
	Screw terminals on Process Board

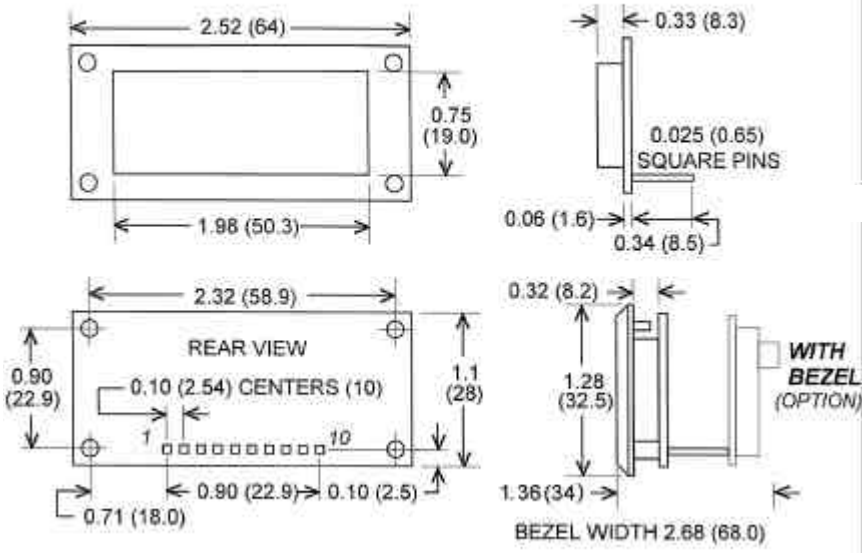
Ordering Information:

DK691Green LED DPM, 4 to 20mA board
DK694Red LED DPM, 4 to 20mA board
LED-BBezel Mounting Kit For LPI-2
PW2-5Regulated 120V AC to 5V DC Adaptor

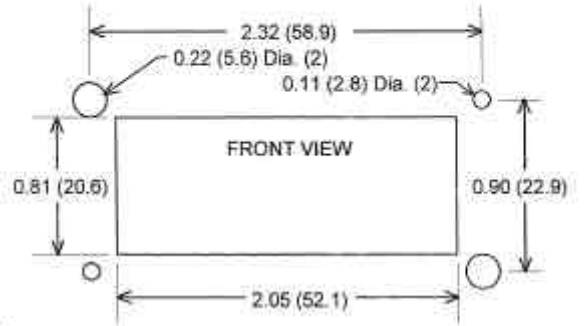


C-TON Industries • PO Box 10129 • Bedford, NH, 03110 • USA
03110-0129

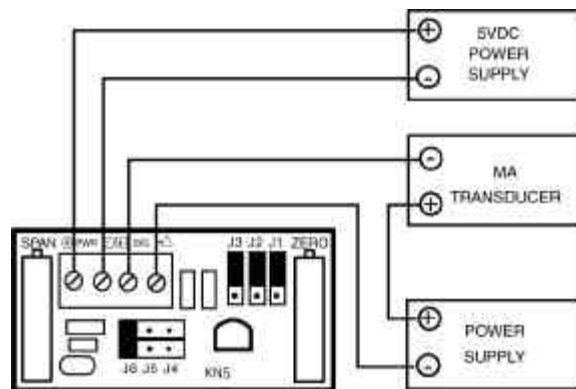
LED DIMENSIONS



LED PANEL CUTOUT



INCHES (mm)



LED