

# DK800/900 SERIES

## LARGE LCD and LED Digital Panel Meters - 3 1/2 digit

### DESCRIPTION

The LCD provides a large, .98" , 3-1/2 digit display.  
The LED provides a large, .8" , 3-1/2 digit, green or red display.

### LCD FEATURES

- Decimal point user selectable
- Eng. units user selectable
- Snap-in panel mounting
- Large .98" digits for easy viewing

### LED FEATURES

- Decimal point user selectable
- Snap-in panel mounting
- Large .8" digits for easy viewing

### ALL MODELS

- Gasket and clamp provided for optional NEMA applications



### Specifications:

<b>Display:</b>	
Digits:	3 1/2 Digits (±1999 counts)
Type:	0.98" (24.9 mm) LCD 0.8" (20.3 mm) LED
Polarity:	Automatic, "-" Displayed
Decimal Points:	3 Position, User Selectable
Overload:	Three lower order digits blank for inputs >1999 & <-1999
Hold:	Display Hold Function is Standard
Annunciators:	PSI, PSI, °F, °C, % (user energized)
<b>Inputs:</b>	
Ranges:	±200.0mV, ±2.000V, ±20.00V DC, 4-20mA
Configuration:	Bipolar, Differential
Protection:	±350V DC, (±100V DC on 200mV Range)
Impedance:	>1 Megohm, (>10 Megohm on 200mV Range)
<b>Performance:</b>	
Accuracy:	±(0.05% FS +1 counts)
Conversion Rate:	3 per Second
Normal Mode Rejection:	>30 db @ 60 Hz
Common Mode Range:	±1V DC
Common Mode Rej.:	>86 dB
Zero Adjustment:	Automatic
Warmup:	10 Minutes Typical
Temperature Coeff.:	±100 ppm per °C Typical
<b>Environment:</b>	
Operating Range:	-10 to 50 °C
Storage Range:	-40 to 75 °C
<b>Power Supply:</b>	
Voltage input units:	+5V DC (180mA LED, 3mA LCD)
DK807:	powered by mA control loop
DK857, DK957:	+24V DC (40mA)
<b>Mounting:</b>	
	Snap-In Panel Mount
<b>Connection:</b>	
	4 screw terminal (4-20mA)
	13 pin male connection (voltage)
	13 pin connector/wiring harness included

### ORDERING INFORMATION

MODEL	DESCRIPTION
DK801	200mV input LCD
DK802	2V input LCD
DK803	20V input LCD
DK807	4-20mA loop powered LCD
DK851	200mV input - RED LED
DK852	2V input - RED LED
DK853	20V input - RED LED
DK857	4-20mA loop controlled - RED LED
DK951	200mV input - GREEN LED
DK952	2V input - GREEN LED
DK953	20V input - GREEN LED
DK957	4-20mA loop controlled - GREEN LED

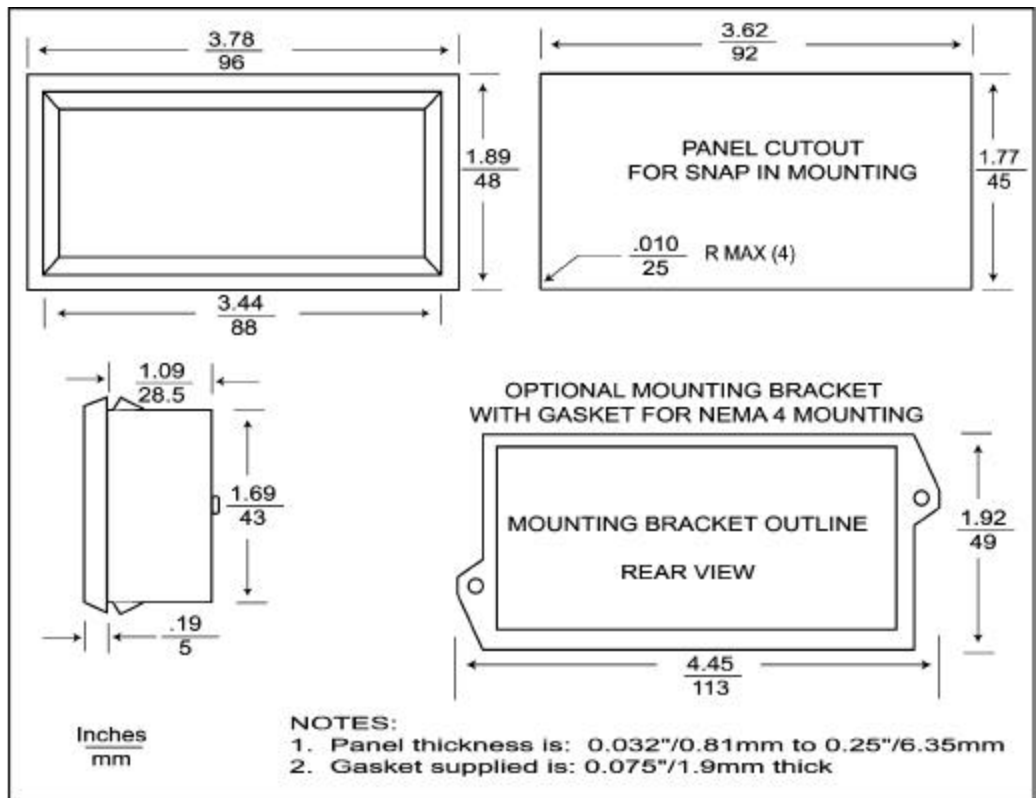


C-TON Industries • PO Box 10129 • Bedford, NH, 03110 • USA  
03110-0129

# Cutout

## WIRING

Pin	Description
1	+5V
2	Neg. Supply
3	INHI
4	INLO
5	Dec. common
6	Dec. 000.0 when connected to decimal common
7	Dec. 00.00 when connected to decimal common
8	Dec. 0.000 when connected to decimal common
9	No connection
10	No connection
11	Signal Hold when connected to decimal common
12	No connection
13	No connection

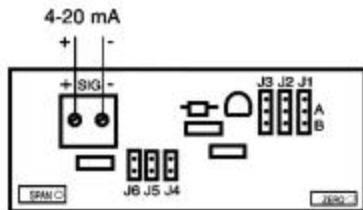
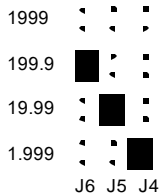


\*Note: Pins 2 & 4 should be tied together for proper operation

## 4 - 20mA Wiring

### DK807

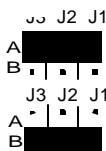
#### 1. DECIMAL SELECTION:



(upper) WIRING

#### 2. J1, J2, J3 SELECTION:

- IF:** OFFSET (ZERO) IS = 0 **or**  
 OFFSET (ZERO) > 0 **and** GAIN (SPAN) + OFFSET (ZERO) ≥ 5
- IF:** OFFSET (ZERO) > 0 **and** GAIN (SPAN) + OFFSET (ZERO) < 5



### DK857, DK957

