



Features:

- ◇ RED, GREEN or BLUE LED
- ◇ Bezel mount or 180° bracket mounting in multiple planes
- ◇ Resistant to RF and EMI
- ◇ Durable metal case
- ◇ Highly visible 2.3" LED display
- ◇ Multifunction loop, set voltage, adjustable voltage inputs, all included
- ◇ Isolated AC/DC supply works in many control applications

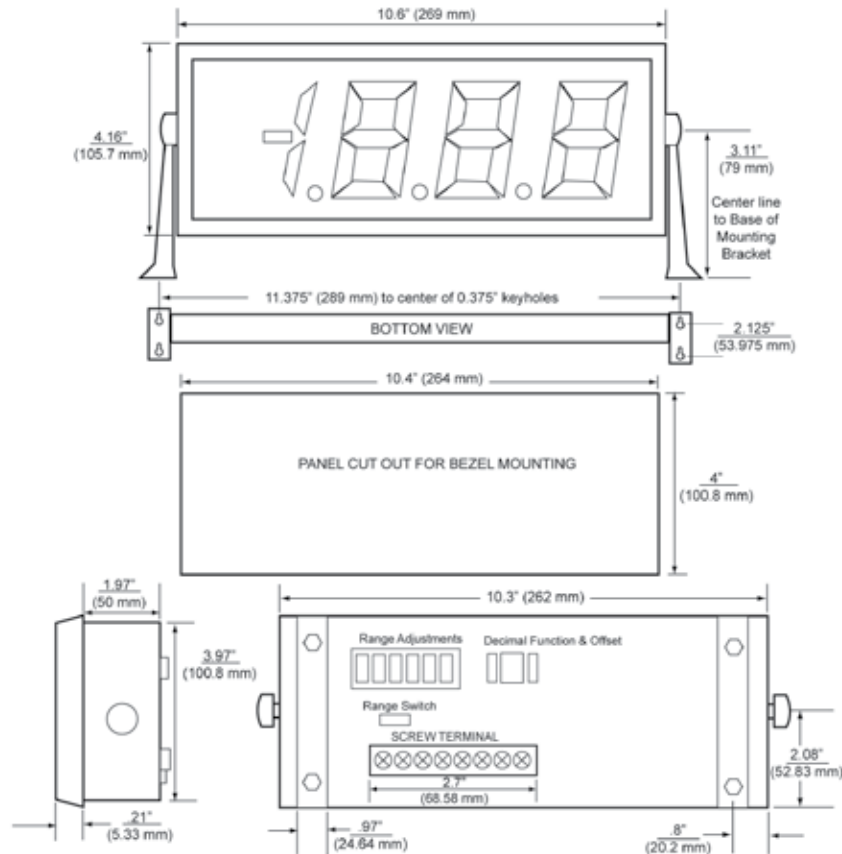
Specifications:

Display:	Digits:	3 ½ digits (±1999 counts)
	Type:	2.3" (58.4mm) - 7 segment LED red, green or blue digits
Inputs:	Set Voltage Ranges:	±200 mV, ± 2 V, ±20 VDC
	Configuration:	bipolar differential
	Protection:	±350 VDC, (±100 VDC on 200 mV range)
	Impedance:	>1 MΩ, (>10 MΩ on 200 mV range)
	Adj. Voltage Ranges:	200 mV, 5 V, 10 VDC
	Offset Range:	-1999 to +1999
	Gain Range:	1 to 1000
	4-20mA Loop Ranges:	4 to 20mA DC
	Configuration:	bipolar differential
	Protection:	±30mA
	Loop Impedance:	300Ω nominal
Performance:	Accuracy:	±0.1% fs + 1 count)
	Conversion Rate:	3 per second
	Normal Mode Rejection:	>30 dB @ 60 Hz
	Common Mode Rej.:	>86 dB
	Zero Adjustment:	automatic on set voltage ranges
	Warmup:	10 minutes typical
	Temperature Coefficient:	±100 ppm per °C typical
Environment:	Operating Range:	-10 to 50 °C
	Storage Range:	-40 to 75 °C
Power Supply:	BDR-999:	90 to 250 VAC @ 12 VA
	BDR-924:	10.5 to 30 VAC/DC @ 6 VA
Mounting:		180° gimbal mounting with 30° stops, or bezel mount
Connection:		screw terminals

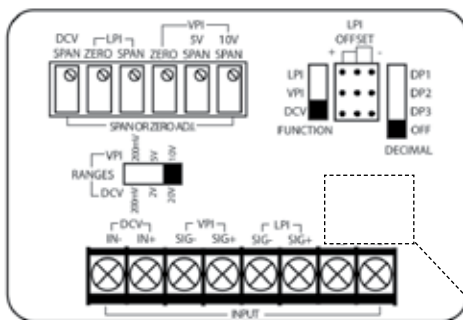
Ordering Information:

PART NUMBER	METER POWER	COLOR
BDR-999R	90 - 250 VAC	RED
BDR-999G	90 - 250 VAC	GREEN
BDR-999B	90 - 250 VAC	BLUE
BDR-924R	10.5 - 30 VAC/DC	RED
BDR-924G	10.5 - 30 VAC/DC	GREEN
BDR-924B	10.5 - 30 VAC/DC	BLUE
PW2-24	Regulated 120V AC to 24V DC Power Supply	
PW1.0	24V AC to adjustable DC output	
CPW1.5	24V AC to adjustable DC output	
CVC	Calibrator	

Dimensions



Wiring & Calibration



1. Set function switch in correct position (LPI, VPI, DCV).
2. Set voltage input range switch in correct position (200mV, 2V/5V, 20V/10V).
3. Attach input wires to appropriate screw terminals.
4. Attach power wires to AC/DC power screw terminals.
5. Power unit up.
6. Apply lowest input into meter, adjust correct zero pot for required reading (N/A on DCV function).
7. Apply highest input into meter, adjust correct span pot for required reading.
8. Recheck zero input and adjust again as needed.
9. Check reading at mid-point for required reading.
10. Select appropriate decimal as required.

* LPI OFFSET PIN POSITIONS

In "+" position enables user to have negative zero readings.

In "-" position enables user to have positive zero readings.

AC POWER
|90V-250V|
AC AC
(BDR-999)

OR

AC POWER
|10.5V-30V|
AC or DC
(BDR-924)