

Features:

- ◇ Large 1", 3½ digit display for easy viewing.
- ◇ Decimal point user selectable
- ◇ Engineering units user selectable
- ◇ Non-backlit LCD or choice of AMBER, GREEN, RED or BLUE backlit LCD
- ◇ Wide ZERO (Offset) & SPAN (Gain) adjustment
- ◇ Standard ½ DIN package
- ◇ Snap-in panel mounting
- ◇ Gasket and clamp provided for NEMA 4, NEMA 12, & IP66 applications

Specifications:

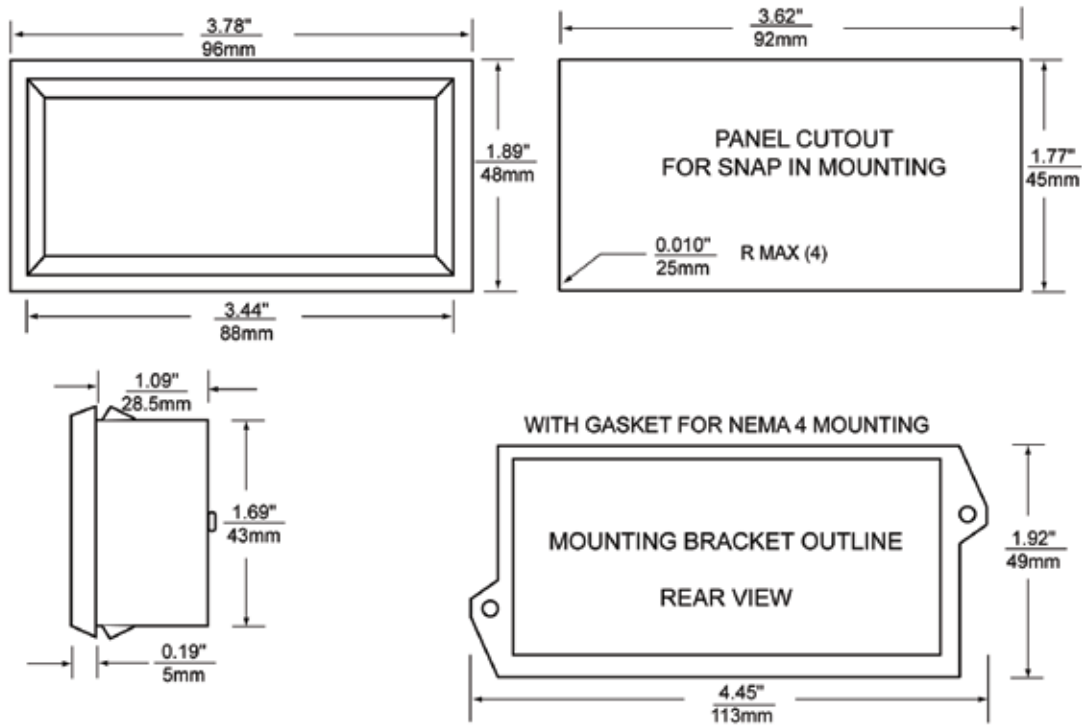
Display:	Digits:	3 ½ digits (±1999 counts)
	Type:	1" (24.9 mm) 7 segment high contrast LCD
	Polarity:	automatic, "-" displayed
	Annunciators:	°F, °C, PSI, %, user selectable
	Decimal Points:	3 position, user selectable
Inputs:	Overrange:	three lower order digits blank for inputs >1999 & < -1999
	Voltage Ranges:	200 mV, 5 V, 10 V (809 Series)
	Current Range:	4 to 20mA (807 Series)
	Configuration:	single ended (809 Series)
	Impedance:	390KΩ (809 Series)
Performance:	Accuracy:	±(0.05% of full scale + 1 count)
	Conversion Rate:	3 per second
	Normal Mode Rejection:	>30 dB @ 60 Hz
	Warmup:	10 minutes typical
	Temperature Coefficient:	± 100 ppm per °C typical
Adjustments:	Offset Range:	-1999 to +1999
	Gain Range:	1 to 1999 (custom ranges available)
	Operating Range:	-10 to 50 °C
Environment:	Storage Range:	-40 to 75 °C
	Loop Powered:	300Ω nominal at 20 mA (807 series)
Power Supply:	Voltage Controlled:	10 mA at 12 V (9 to 16 V) or 24 V (16 to 32 V) (809 series)
	Backlighting:	35 mA typical @ 24 VDC
	Mounting:	snap-in panel mount or clamp and gasket (included)
Connection:	screw terminals	

Ordering Information:

PART NUMBER	BACKLIGHT COLOR	METER INPUT	METER POWER	BACKLIGHT POWER
DK807A	NO BACKLIGHT	4-20mA	mA loop	NONE
DK757B	BLUE	4-20mA	mA loop	24VDC
DK857B	RED	4-20mA	mA loop	24VDC
DK947B	AMBER	4-20mA	mA loop	24VDC
DK957B	GREEN	4-20mA	mA loop	24VDC
DK809	NO BACKLIGHT	Voltage	12/24VDC	NONE
DK759	BLUE	Voltage	12/24VDC	24VDC
DK859	RED	Voltage	12/24VDC	24VDC
DK949	AMBER	Voltage	12/24VDC	24VDC
DK959	GREEN	Voltage	12/24VDC	24VDC
PW2-12		Regulated 120V AC	to 12V DC Power Supply	
PW2-24		Regulated 120V AC	to 24V DC Power Supply	
PW1.0		24V AC	to adjustable DC output	
CPW1.5		24V AC	to adjustable DC output	
CVC				Calibrator



Dimensions



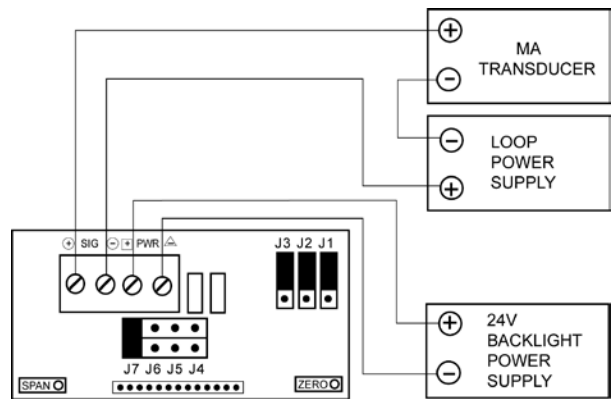
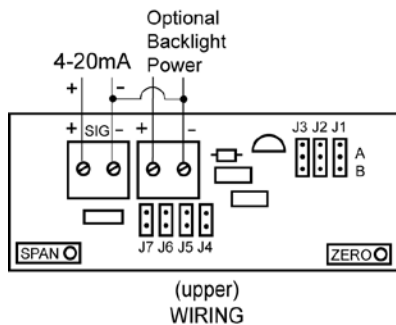
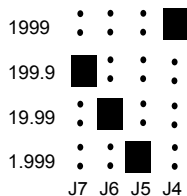
NOTES:

1. Panel thickness is: 0.032"/0.81mm to 0.25"/6.35mm
2. Gasket supplied is: 0.075"/1.9mm thick

Wiring

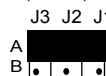
807 Series

1. DECIMAL SELECTION:

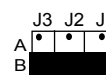


2. J1, J2, J3 SELECTION:

- IF:** OFFSET (ZERO) IS ≤ 0 or
 OFFSET (ZERO) > 0 and GAIN (SPAN) + OFFSET (ZERO) ≥ 5



- IF:** OFFSET (ZERO) > 0 and GAIN (SPAN) + OFFSET (ZERO) < 5



NOTE: If backlight supply is not loop supply, ground should be referenced together.



809 Series

