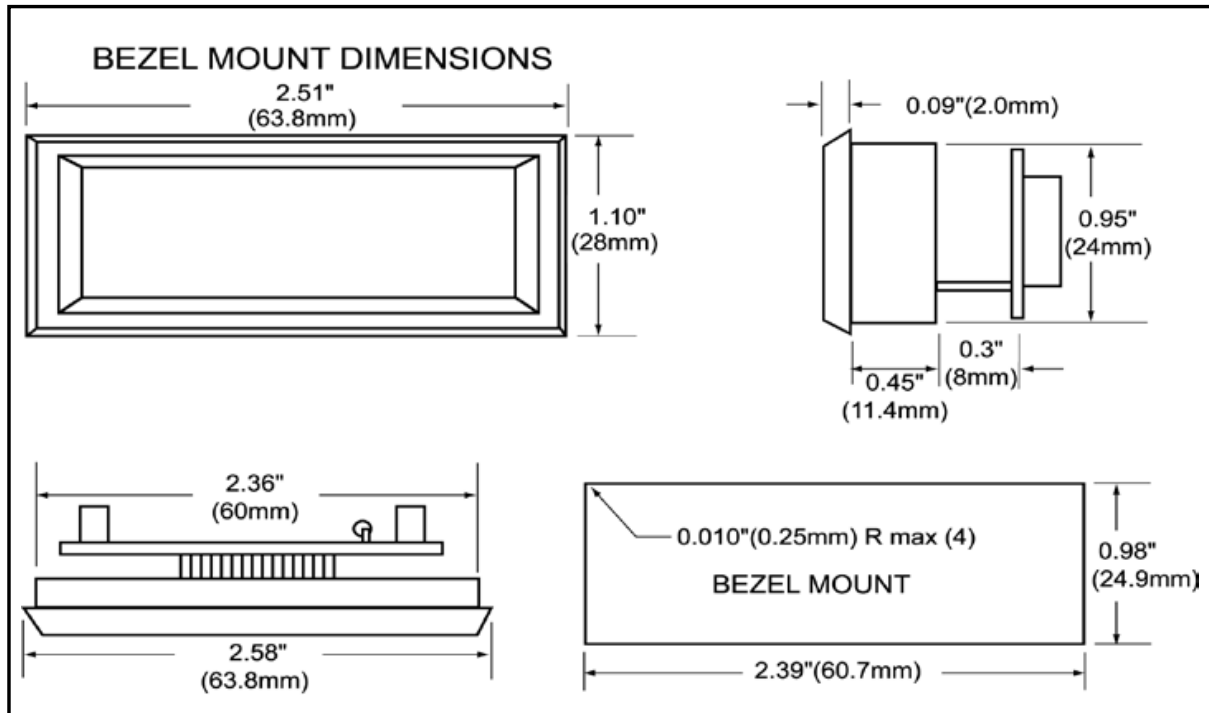


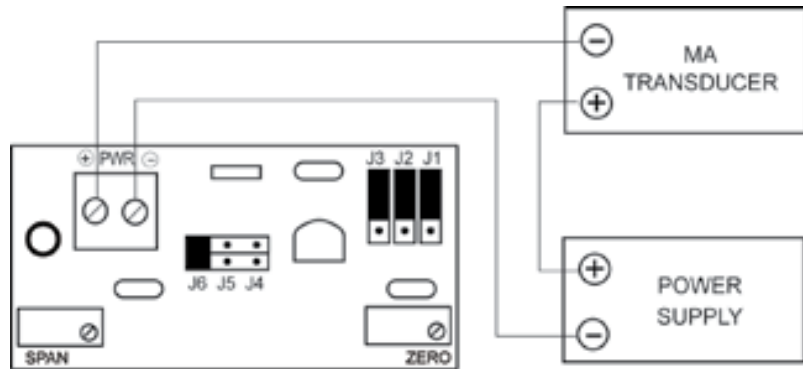
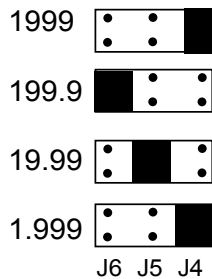
3 1/2 LOOP

PANEL MOUNTING



JUMPER SELECTION AND WIRING

1. DECIMAL SELECTION: (J4, J5, J6)



2. J1, J2, J3 SELECTION:

- IF:** OFFSET (ZERO) IS $\leq \emptyset$ **or**
 OFFSET (ZERO) $> \emptyset$ **and** GAIN (SPAN) \div OFFSET (ZERO) ≥ 5
- IF:** OFFSET (ZERO) $> \emptyset$ **and** GAIN (SPAN) \div OFFSET (ZERO) < 5

