



Features:

- ◇ Low-cost, high-performance replacement for many OEM DPMs
- ◇ Snap-in bezel mount eliminates mounting hardware
- ◇ Resistant to RF and EMI
- ◇ 3 1/2 digits with high-contrast LCD
- ◇ 4- 20 mA loop powered input

Specifications:

Display:	Digits:	3 1/2 digits (±1999 counts)
	Type:	0.5" (12 mm) 7 segment LCD
	Polarity:	automatic, "-" displayed
	Decimal Points:	3 position, user selectable
	Overrange:	three lower order digits blank for inputs >1999 & < -1999
Inputs:	Ranges:	4-20 mA DC
	Configuration:	bipolar differential
	Protection:	30 mA max.
	Loop Burden:	300Ω nominal
Performance:	Accuracy:	±(0.1% fs + 2 count)
	Conversion Rate:	3 per second
	Normal Mode Rejection:	>30 dB @ 60 Hz
	Adjustments:	span (gain) and zero (offset)
	Warmup:	10 minutes typical
	Temperature Coefficient:	±100 ppm per °C typical
Environment:	Operating Range:	0 to 50 °C
	Storage Range:	-20 to 70 °C
Power Supply:		powered by the milliamp control loop
Mounting:		snap-in bezel mount
Connection:		2 screw terminal

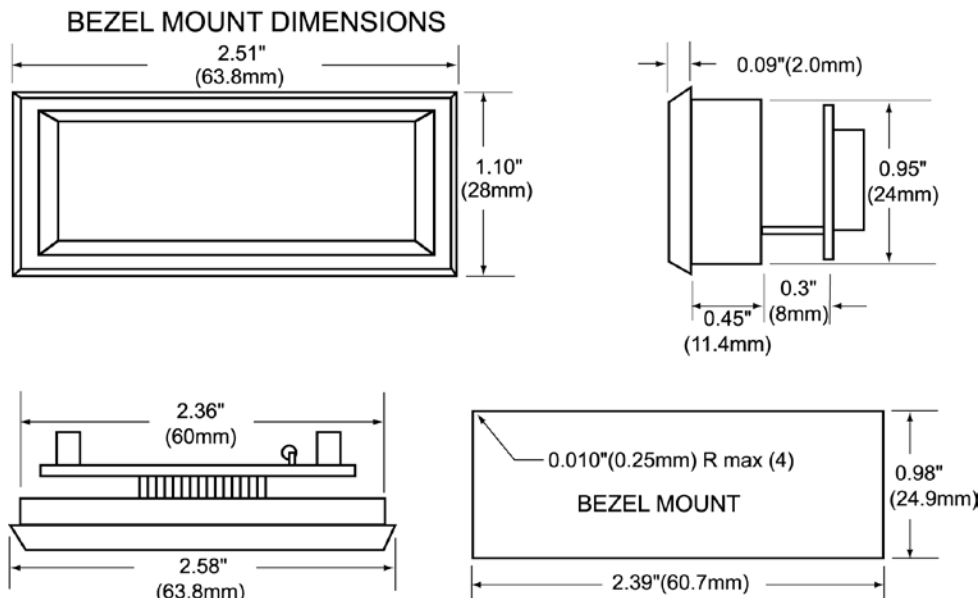
Ordering Information:

PART NUMBER

DK590

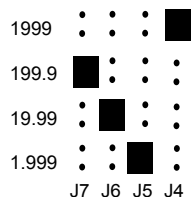
PW2-24.....	Regulated 120V AC to 24V DC Power Supply
PW1.0.....	24V AC to adjustable DC output
CPW1.5.....	24V AC to adjustable DC output
CVC.....	Calibrator

Dimensions



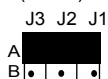
Wiring

1. DECIMAL SELECTION:



2. J1, J2, J3 SELECTION:

IF: OFFSET (ZERO) IS 0 *or* OFFSET (ZERO) > 0 **and** GAIN (SPAN) ÷ OFFSET (ZERO) ≥ 5



IF: OFFSET (ZERO) > 0 **and** GAIN (SPAN) ÷ OFFSET (ZERO) < 5

