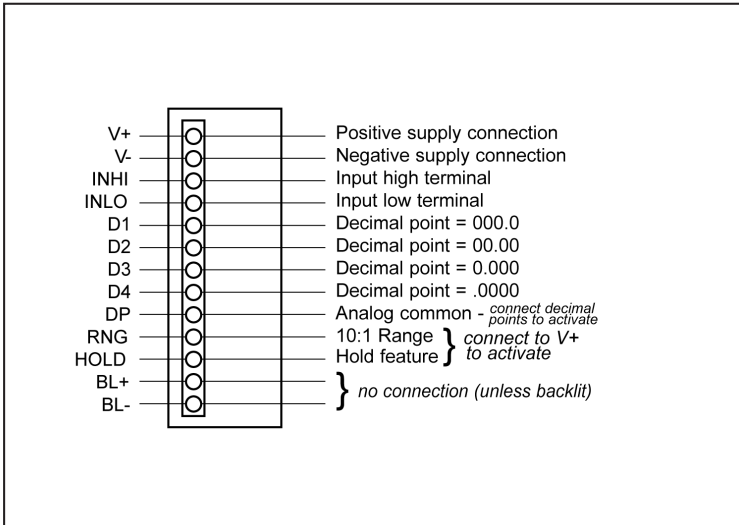


LCD - 4.5 digit wiring



*For single ended 5V power operation: V- should be connected to INLO

4.5 digit cut-outs

