

EPIC SERIES



Features:

- ◇ Low-cost, high-performance replacement for many OEM DPMs
- ◇ Optional RED, GREEN or AMBER backlighting
- ◇ Snap-in bezel mount eliminates mounting hardware
- ◇ Resistant to RF and EMI
- ◇ 3½ digits with high-contrast LCD
- ◇ User selectable, displayed engineering units

Specifications:

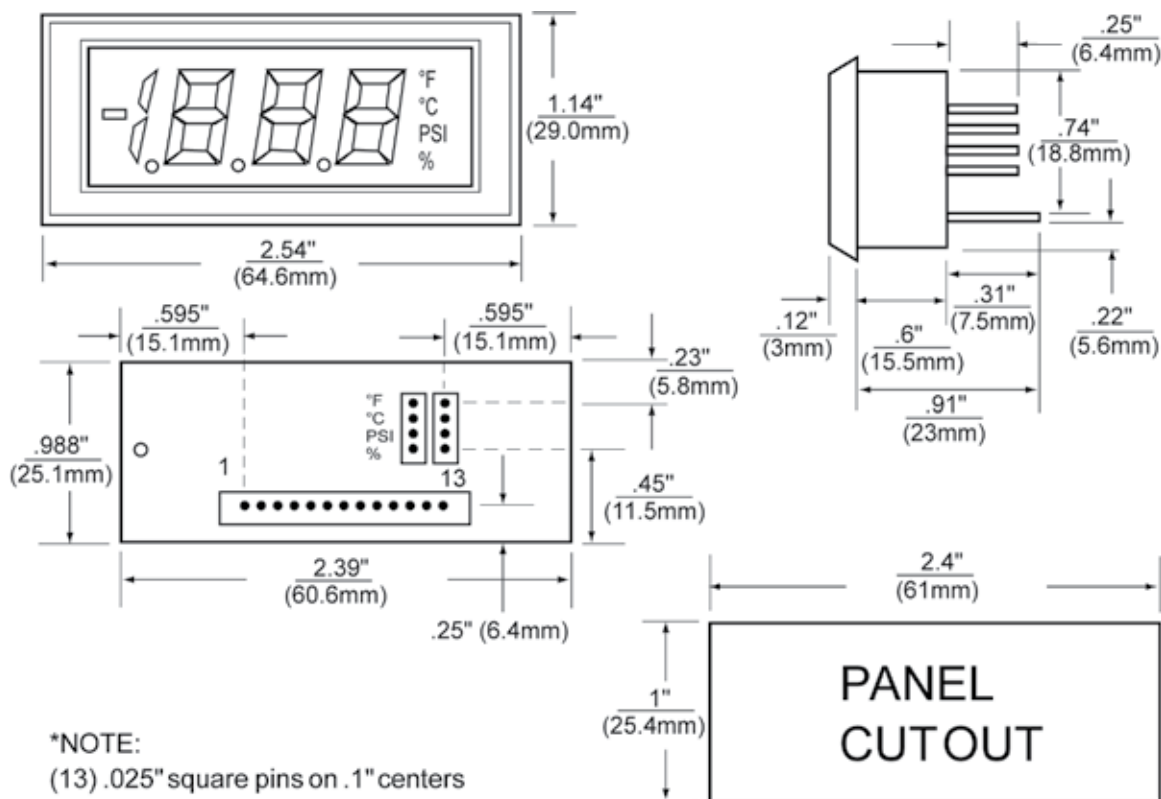
Display:	Digits:	3 ½ digits (±1999 counts)
	Type:	0.45" (11.4 mm) 7 segment LCD
Backlighting:		Optional Red Negative (red numbers/black background) Optional Green Negative (green numbers/black background) Optional Amber Negative (amber numbers/black background) Optional Green Positive (black numbers/green background)
	Polarity:	automatic, "-" displayed
	Annunciators:	°F, °C, PSI, %, user selectable
	Decimal Points:	3 position, user selectable
	Overrange:	three lower order digits blank for inputs >1999 & < -1999
Inputs:	Ranges:	±200.0mV, ±2.000V, ±20.00V DC
	Configuration:	bipolar differential
	Protection:	±350 VDC, (±100 VDC on 200 mV range)
	Impedance:	1000 MΩ on ± 200 mV; (1 MΩ on 2 V & 20 V range)
	Bias Current:	1 pA (± 200 mV) , 100 pA (other ranges)
Performance:	Accuracy:	± (0.1% fs + 2 count)
	Conversion Rate:	3 per second
	Normal Mode Rejection:	>30 dB @ 60 Hz
	Common Mode Range:	±1 VDC max
	Common Mode Rej.:	>86 dB
	Zero Adjustment:	automatic
	Warmup:	10 minutes typical
	Temperature Coefficient:	±100 ppm per °C typical
Environment:	Operating Range:	0 to 50 °C
	Storage Range:	-20 to 70 °C
Power Supply:		5 VDC at 3.5 mA max
	Optional Backlight:	5 VDC at 130mA typical
Mounting:		snap-in bezel mount
Connection:		13 pins, 0.025" square

Ordering Information:

PART NUMBER	BACKLIGHT COLOR	METER INPUT	BACKLIGHT POWER
DK541	NO BACKLIGHT	200mV	NONE
DK542	NO BACKLIGHT	2V	NONE
DK543	NO BACKLIGHT	20V	NONE
DK551	NEG AMBER	200mV	5VDC
DK552	NEG AMBER	2V	5VDC
DK553	NEG AMBER	20V	5VDC
DK561	NEG GREEN	200mV	5VDC
DK562	NEG GREEN	2V	5VDC
DK563	NEG GREEN	20V	5VDC
DK571	NEG RED	200mV	5VDC
DK572	NEG RED	2V	5VDC
DK573	NEG RED	20V	5VDC
DK581	POS GREEN	200mV	5VDC
DK582	POS GREEN	2V	5VDC
DK583	POS GREEN	20V	5VDC
J4C13		13 Pin Connector / Wire Assembly	
PW2-5		Regulated 120V AC to 5V DC Power Supply	
PW1.0		24V AC to adjustable DC output	
CPW1.5		24V AC to adjustable DC output	
CVC		Calibrator	



Dimensions



Wiring:

Pin No.	Pin Name	Description
1	+5V	+5V power supply
2	NEG	Power supply ground
3	INHI	Positive input signal
4	INLO	Negative input signal
5	COM	Decimal common
6	000.0	000.0 when connected to decimal common
7	00.00	00.00 when connected to decimal common
8	0.000	0.000 when connected to decimal common
9	NC	No connection required
10	NC	No connection required
11	SH	Signal hold when connected to V+
12	BLV+	Backlight V+ (Backlit models only)
13	BLV-	Backlight V- (Backlit models only)

Note: Pins 2 & 4 should be tied together for proper operation