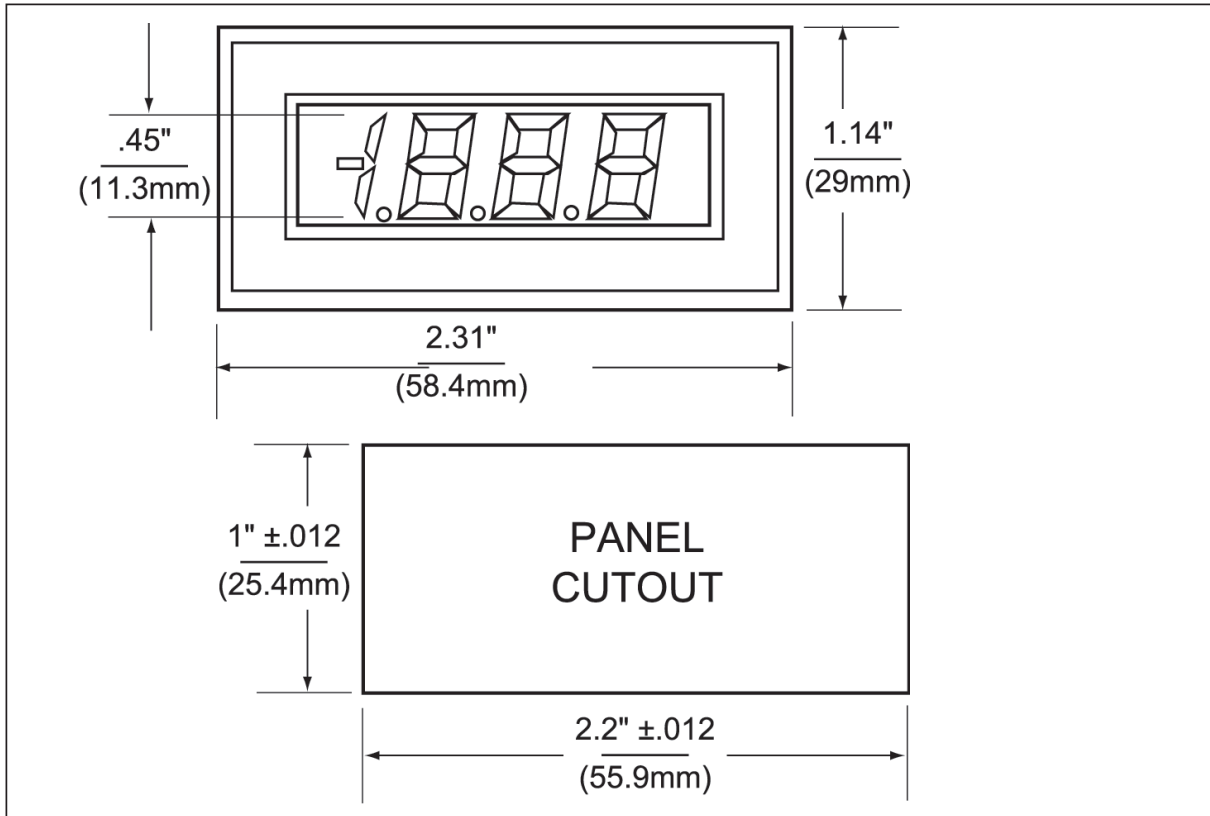


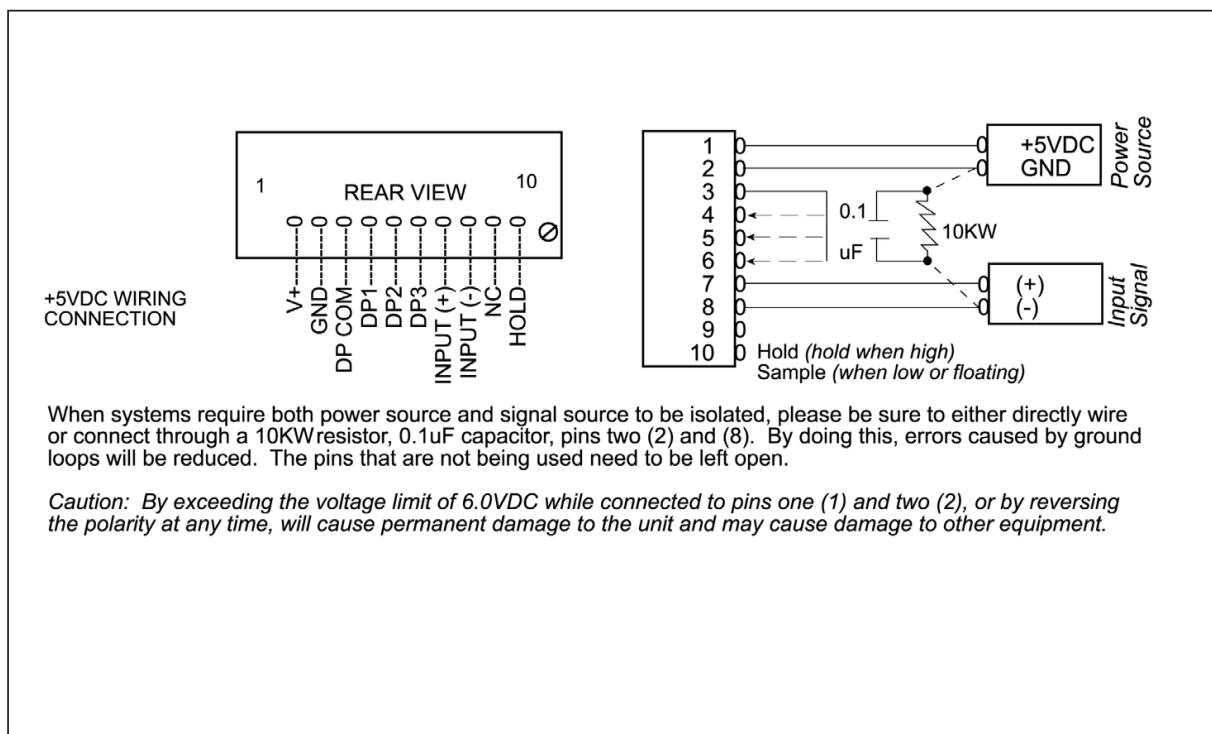
LCD 1" cut-out - 3.5 digit - dimensions



IS-002

Rev. 12H06

LCD 1" cut-out - 3.5 digit - wiring



IS-002

Rev. 12H06