



Features:

- ◇ Space saving design only 0.67"(17mm) deep
- ◇ Occupies less than 2.5 x 1.1 inches of front panel space
- ◇ High contrast LCD
- ◇ 3½ digits with 0.39" LCD
- ◇ Snap-In bezel eliminates the need for mounting hardware
- ◇ Low power requirement (3mA) is ideal for battery powered applications
- ◇ User Selectable Decimal Points

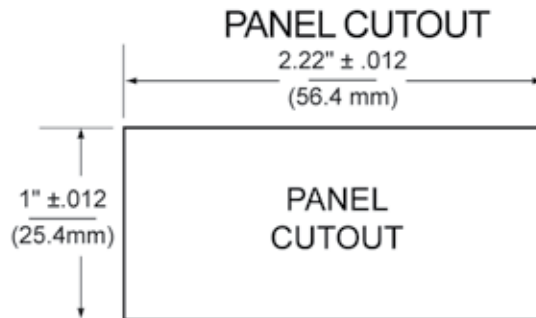
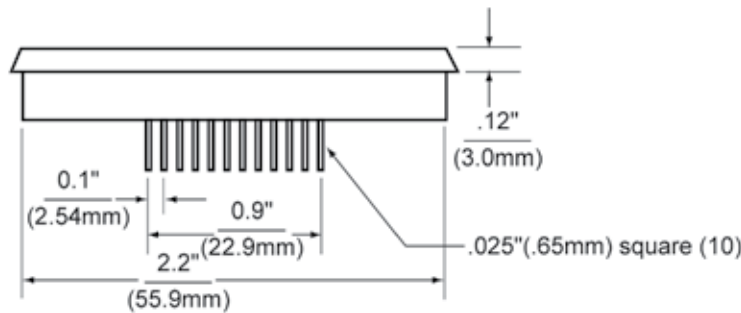
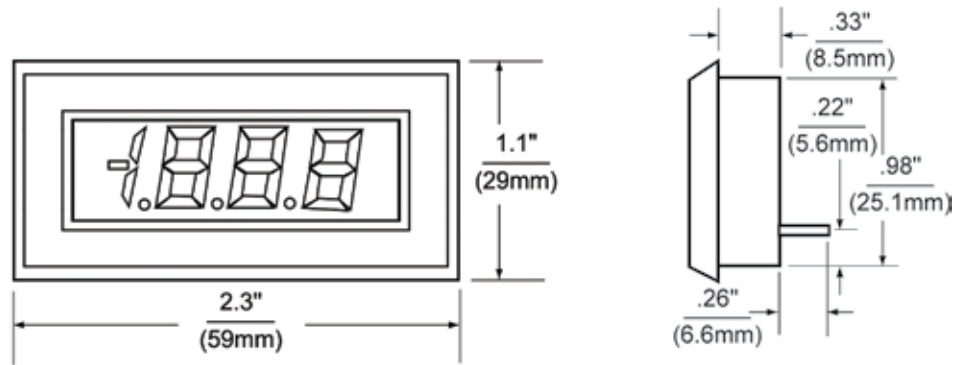
Specifications:

Display:	Digits:	3 ½ digits (±1999 counts)	
	Type:	0.39" (10mm) high contrast reflective LCD	
	Polarity:	automatic, "-" displayed.	
	Decimal Points:	3 position, user selectable	
	Overrange:	three lower order digits blank for inputs >1999 & <-1999	
	Hold:	display hold function is standard	
Inputs:	Ranges:	±200.0 mV, ±2.000 V, ±20.00 VDC	
	Configuration:	bipolar, differential	
	Protection:	±350 VDC, (±100 VDC on 200 mV range)	
	Impedance:	>1 MΩ, (>10 MΩ on 200 mV range)	
Performance:	Accuracy:	±(0.1% + 1 counts) typical ±(0.2% + 2 counts) maximum	
	Conversion Rate:	3 per second	
	Normal Mode Rejection:	>30 dB @ 60 Hz	
	Common Mode Range:	±1 VDC	
	Common Mode Rej.:	>86 dB	
	Zero Adjustment:	automatic	
	Warmup:	10 minutes typical	
	Temperature Coeff.:	±100 ppm per °C typical	
	Environment:	Operating Range:	0 to 50 °C
		Storage Range:	-20 to 70 °C
Power Supply:	Voltage:	+5 VDC (±5%)	
	Current:	3 mA	
Mounting:	snap-in bezel mount		
Connection:	10 pins, 0.025" square on 0.1" centers		

Ordering Information:

PART NUMBER	METER INPUT
DK110.....	200mV
DK111.....	2V
DK112.....	20V
C10-5.....	5" - 10 Pin Connector / Wire Assembly
J1C10.....	12" - 10 Pin Connector / Wire Assembly
PW2-5.....	Regulated 120V AC to 5V DC Power Supply
PW1.0.....	24V AC to adjustable DC output
CPW1.5.....	24V AC to adjustable DC output
CVC.....	Calibrator

Dimensions & Wiring Connections



CONNECTION DESCRIPTIONS

PIN	DESCRIPTION
+5V	+5V DPM POWER SUPPLY
GND	DPM POWER SUPPLY GROUND
DP.C	DECIMAL POINT RETURN
DP.1	1XX.X
DP.2	1X.XX
DP.3	1.XXX
IN (+)	POSITIVE INPUT SIGNAL
IN (-)	NEGATIVE INPUT SIGNAL
NC	NO CONNECTION REQUIRED
HOLD	HOLD LAST DISPLAY