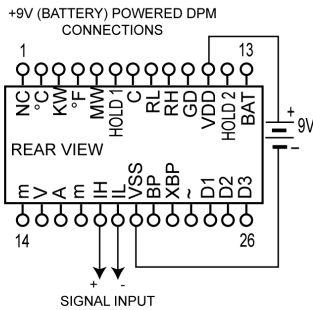
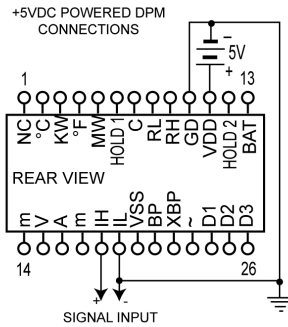


## MINI 26-PIN DPM CONNECTIONS

CAUTION: Confirm Part Number to Assure Correct Wiring For Signal Input and Power Supply.



### NOTES:

1. INPUT MUST BE ISOLATED FROM SUPPLY ON 9V POWERED DPM.
2. DISPLAY HOLDS READING WHEN "HOLD1" IS HIGH (CONNECTED TO "VDD"). READINGS ARE UPDATED WHEN OPEN. (ON MODELS WITH HOLD OPTION).
3. INPUT COMMON MODE RANGE IS  $\pm 1$  V DC ON +5V POWERED DPMS.
4. IF EXTERNAL REFERENCE IS USED CUT OPEN JUMPER PADS "1", "2", & "3" CONNECT EXTERNAL REFERENCE TO "RH" & "RL".
5. TO TURN ON DECIMAL POINTS OR ANNUNCIATORS, CONNECT TO "XBP". ALL UNUSED ANNUNCIATORS CONNECT TO "BP".

## CONNECTION DESCRIPTIONS

PIN#	26 PIN	DESCRIPTION
1		NO CONNECTION
2	°C	ANNUNCIATOR
3	KΩ	ANNUNCIATOR
4	°F	ANNUNCIATOR
5	MΩ	ANNUNCIATOR
6	HOLD1	CONNECT TO VDD TO HOLD DISPLAY
7	C	ANALOG COMMON
8	RL	REFERENCE LOW TERMINAL
9	RH	REFERENCE HIGH TERMINAL
10	GD	NEG POWER SUPPLY FOR 5V DPMS
11	VDD	POSITIVE DPM POWER SUPPLY
12	HOLD2	"HOLD" ANNUNCIATOR
13	BAT	ANNUNCIATOR
14	m	ANNUNCIATOR
15	V	ANNUNCIATOR
16	A	ANNUNCIATOR
17	μ	ANNUNCIATOR
18	IH	POSITIVE INPUT SIGNAL
19	IL	NEGATIVE INPUT SIGNAL
20	VSS	NEGATIVE POWER SUPPLY FOR 9V
21	BP	LCD BACKPLANE
22	XBP	ANNUNCIATOR & DECIMAL POINT DRIVER
23	~	ANNUNCIATOR
24	D1	} DECIMAL POINT
25	D2	
26	D3	

### PANEL CUTOUT

