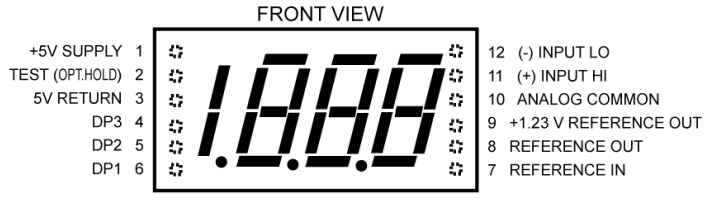
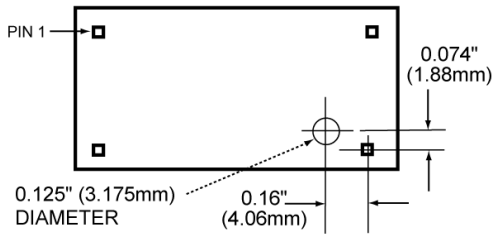
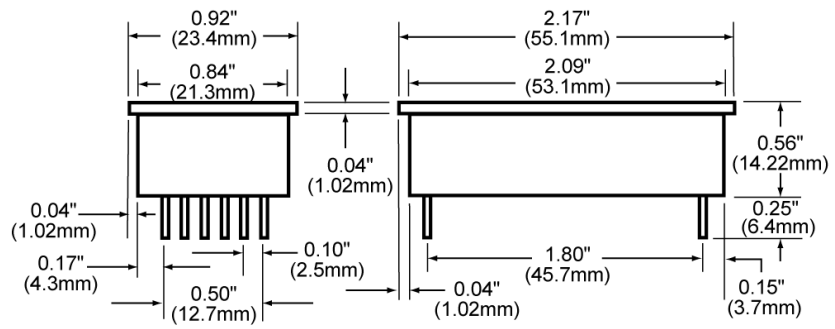


FRONT VIEW
CALIBRATION POTENTIOMETER HOLE LOCATION



Mechanical Specifications

Mechanical Dimensions:
Inches (mm)
Pin Dimensions:
0.025 (0.635) x 0.025 (0.635)



To enable DPs (Pin 4-6) connect to Pin 3 (5V return)

Pin 3 should be tied to Pin 12 for normal operation

Connect Pins 7 & 8

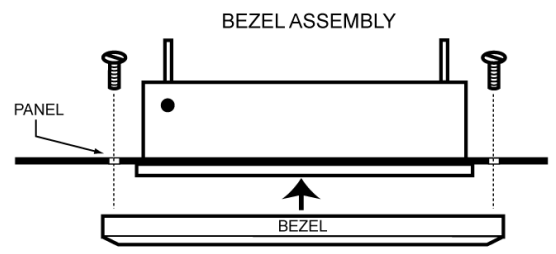
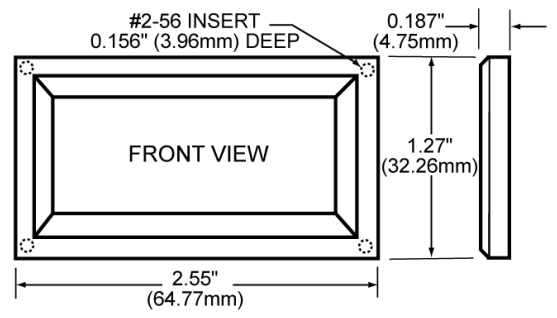
Pins 2, 9 & 10 consult factory for application

For hold option, connect Pin 2 to Pin 1 (+5V supply)

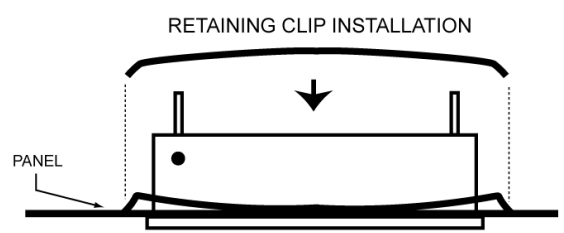
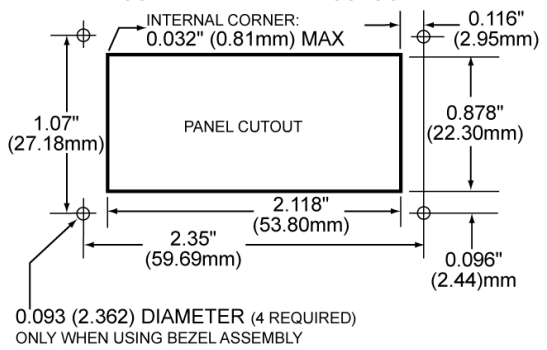
IS-008

Rev. 6H06

BEZEL ASSEMBLY



RECOMMENDED PANEL CUTOUT



IS-008

Rev. 6H06