

Features

- ◇ 0.56", 3½ digit high intensity display
- ◇ Available in red, blue or green
- ◇ User selectable decimal
- ◇ Polycarbonate case
- ◇ Optional Bezel Mount

Specifications

Supply voltage:	+5 VDC @ 40 mA
Input Ranges:	±200 mV, ± 2 V, ±20 V
Numeral Size:	.56" (14.27 mm)
Operating Temperature:	32° to 122°F (0-50°C)
Max Humidity:	95% (non-condensing)
Input Impedance:	1000 MΩ (200 mV) 1 MΩ (other ranges)
Polarity Indication:	automatic (-) for negative input
Overrange:	three lower order digits blank for inputs >1999 & < -1999
Accuracy:	±1% F.S. ± 2 counts
Common Mode Range:	± 1 VDC
Sampling Rate:	3 per second
Connections:	12 pin

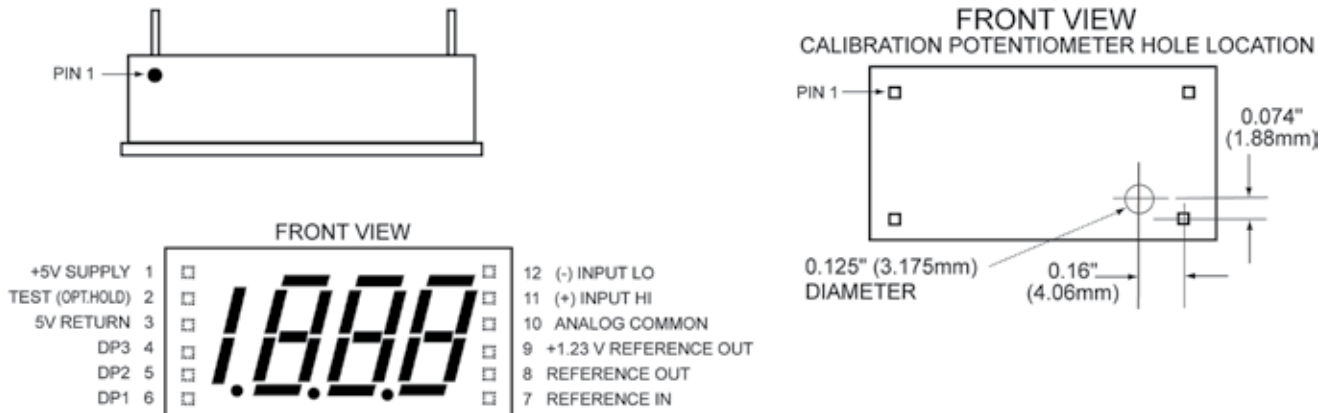
Ordering Information

PART NUMBER	METER COLOR	METER INPUT
DK630.....	RED	200mV
DK631.....	RED	2V
DK632.....	RED	20V
DK633.....	GREEN.....	200mV
DK634.....	GREEN.....	2V
DK635.....	GREEN.....	20V
DK636.....	BLUE	200mV
DK637.....	BLUE	2V
DK638.....	BLUE	20V
DK640.....	RED with hold function	200mV
DK641.....	RED with hold function	2V
DK642.....	RED with hold function	20V

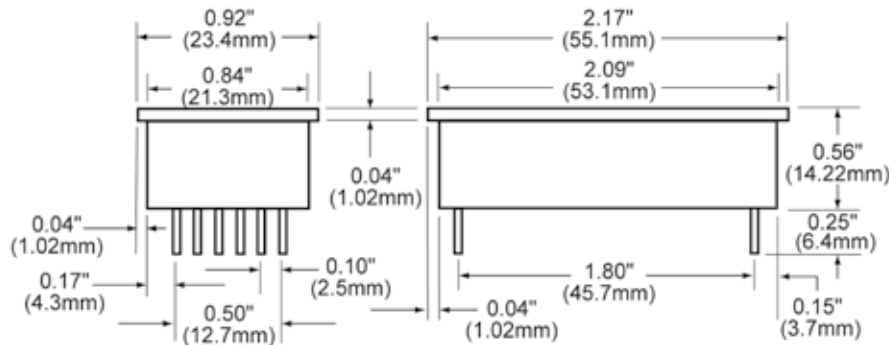
DLA-BEZ	Bezel Assembly
PW2-5.....	Regulated 120V AC to 5V DC Power Supply
PW1.0.....	24V AC to adjustable DC output
CPW1.5.....	24V AC to adjustable DC output
CVC.....	Calibrator



Dimensions



Pin Dimensions: 0.025" (0.626 mm) x 0.025" (0.626 mm)



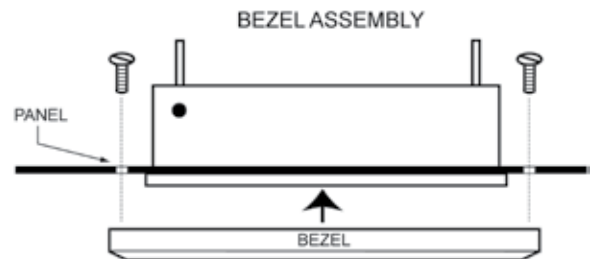
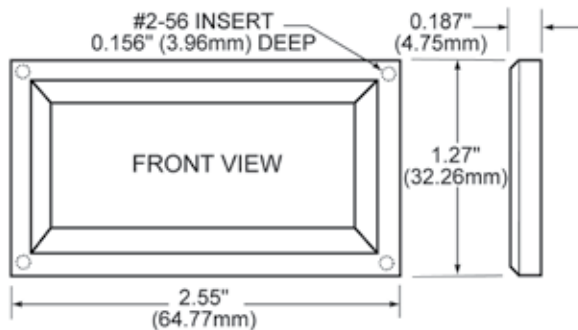
To enable DPs (Pin 4-6) connect to Pin 3 (5V return)

Pin 3 should be tied to Pin 12 for normal operation

Connect Pins 7 & 8

For hold option, connect Pin 2 to Pin 1 (+5V supply)

BEZEL ASSEMBLY



RECOMMENDED PANEL CUTOUT

