

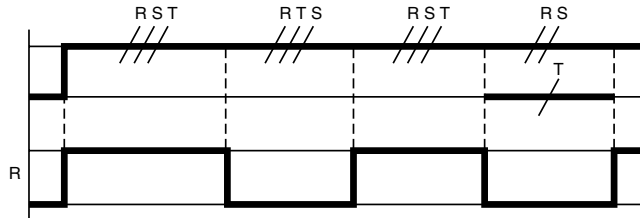
WRA SERIES PHASE CONTROL RELAY

UL listed CSA recognized (220 VAC Version Only)



- **Monitors**
Phase Sequence
Loss of Any Phase even if Induced Voltage reaches 95% of Nominal Voltage
- **LED Relay Status Indicator**
- **SPDT 10 Amp Relay Output**

MODE OF OPERATION:



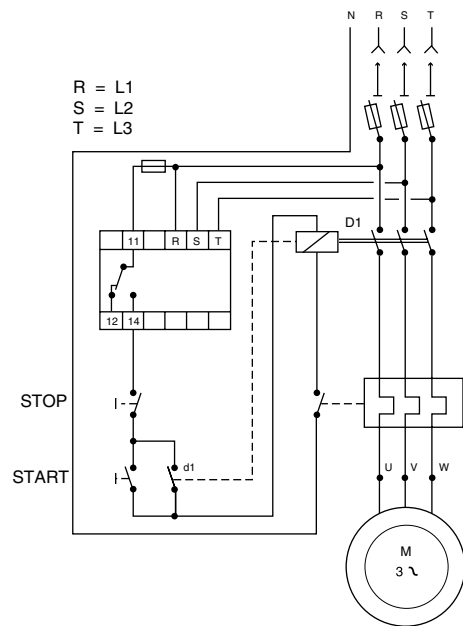
The WRL Phase Control Relay monitors the sequence loss or reversal of three phase power supplies. The output relay is energized when the phase sequence is correct and is de-energize when the phase sequence is wrong or one phase is lost. It monitors the symmetry of 3 voltages and a loss of phase even when the voltage is reinjected through a machine. The rate of asymmetry is controlled between 5% and 15% by a top mounted potentiometer.

SPECIFICATIONS:

- Input Power Directly 3 x 220 60 Hz
 from controlled voltage $\pm 15\%$ 3 x 380 60 Hz
 3 x 440 60 Hz
- Power consumption 3 VA at 220 V
- Output SPDT relay
- Contact material AgCdO
- Maximum Loading 10 AC resistive 8A DC inductive
- Maximum switching voltage 250 VAC 250 VDC
- Relay max. power rating 220 VA 80 W
- Mechanical life of relay 30×10^8 operations
- Electrical life of relay 2×10^5 operations at 2200VA resistive load
- Operating temperature +14°F to +140°F -10°C to +60°C
- Weight 7 oz. (200g)

Note: The alarm threshold adjustment is 5% to 15% of asymmetry between the phases. The initial response time is .1 seconds at 5% asymmetry and 1 second at 15% after input power is applied. When a phase loss or failure occurs, the "off delay" response time is 100 ms.

WIRING DIAGRAM:



DWRA	11	12	14	R	S	T
LWRA	1	4	3	5	6	7
PWRA	1	2	8	3	4	5

ORDERING INFORMATION:

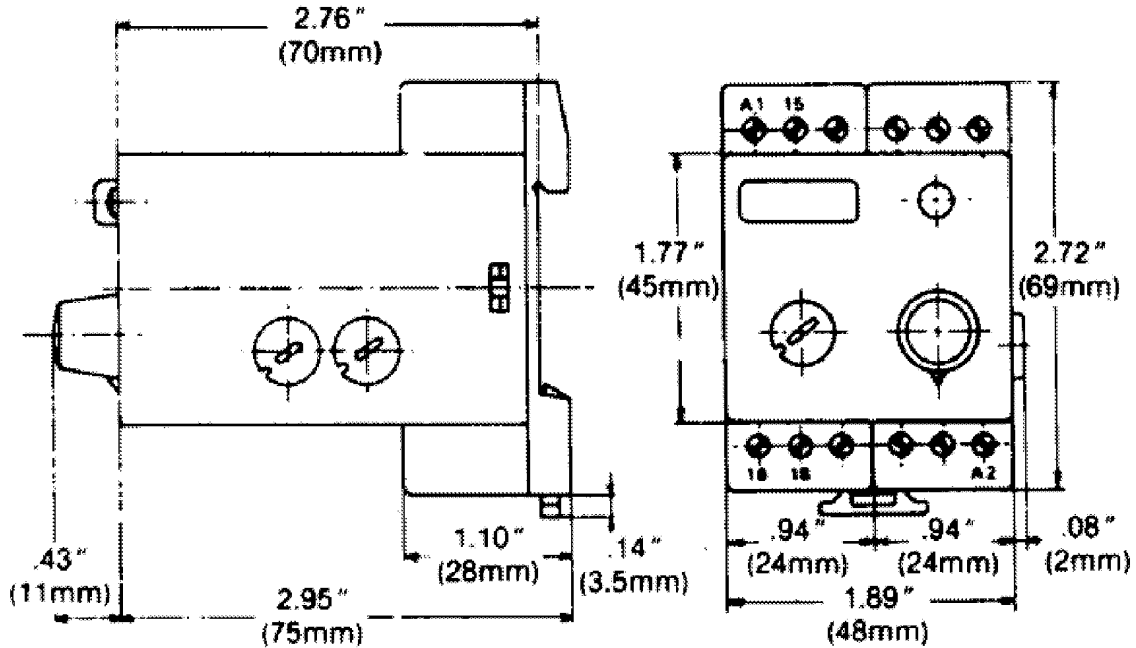
<p>L MOUNTING</p> <p>MOUNTING D = DIN-rail mounting L = 11 pin plug-in P = 8 pin plug-in</p>	<p>WRA SERIES</p> <p>SERIES WRA</p>	<p>380 A INPUT POWER</p> <p>INPUT POWER 220A = 3 x 220 VAC 380A = 3 x 380 VAC 440A = 3 x 415/440 VAC</p>
---	--	---

Products and specifications subject to change without notice.
 Consult factory for application assistance.

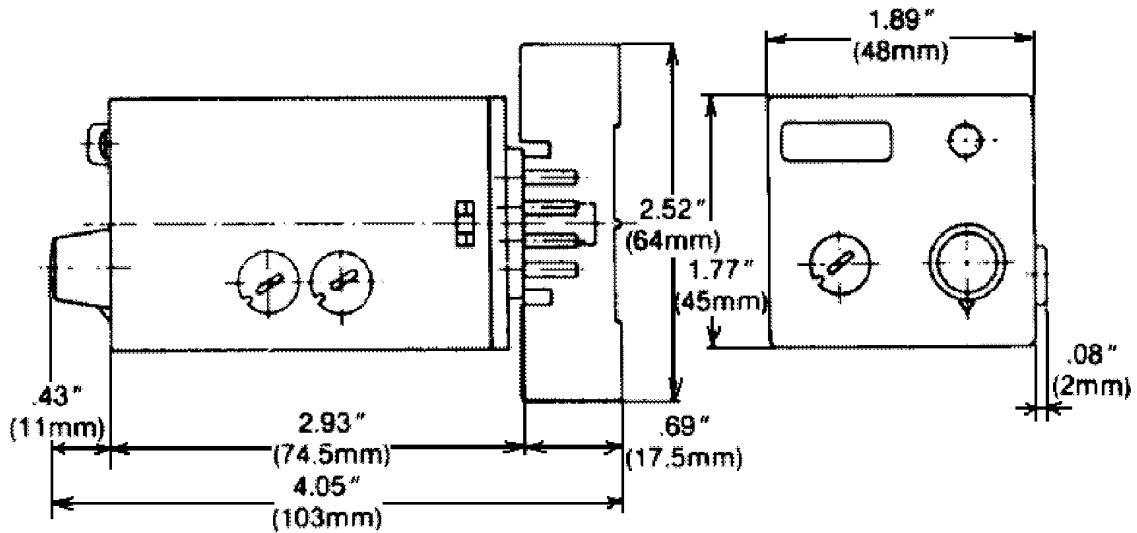
5

DIMENSIONS:

D - DIN-Rail



L & P - Sockets



Products and specifications subject to change without notice.
Consult factory for application assistance.