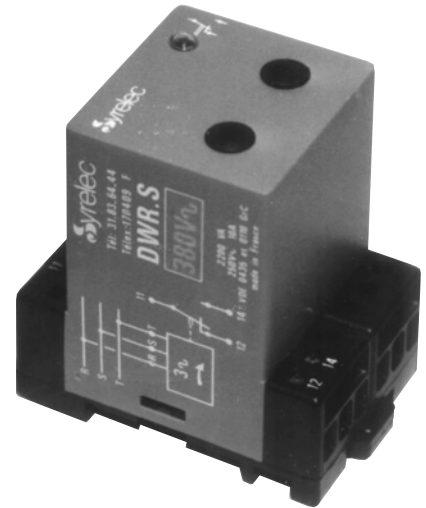


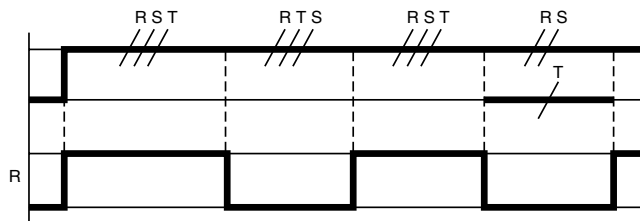
# WRS SERIES PHASE CONTROL RELAY

UL listed CSA recognized



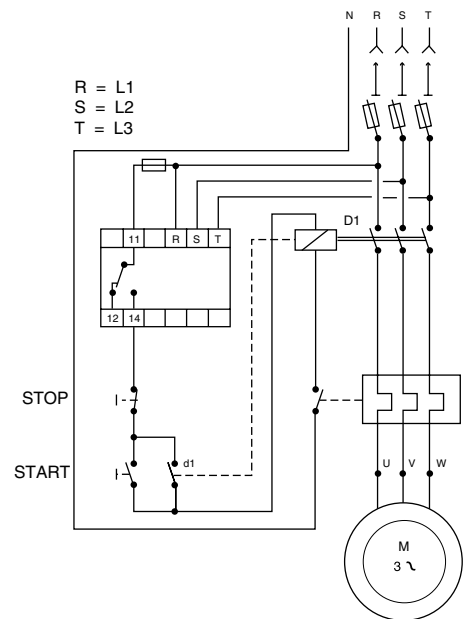
- **Monitors**  
    **Phase Sequence**  
    **Loss of Any Phase**
- **LED Indicator**
- **10 Amp SPDT Output**
- **Low Cost**

**MODE OF OPERATION:**



The WRS Phase Control Relay monitors the sequence loss or reversal of three phase power supplies. The output relay is energized when the phase sequence is correct and is de-energize when the phase sequence is wrong or one phase is lost.

**WIRING DIAGRAM:**



**SPECIFICATIONS:**

<b>Input Power Directly</b> . . . . .	3 x 220 60 Hz	
<b>from controlled voltage ±15%</b> . . . . .	3 x 380 60 Hz	
	3 x 440 60 Hz	
<b>Power consumption</b> . . . . .	3 VA at 220 V	
<b>Output</b> . . . . .	SPDT relay	
<b>Contact material</b> . . . . .	AgCdO	
<b>Maximum Loading</b> . . . . .	10 AC resistive	1 A SC inductive
<b>Maximum switching voltage</b> . . . . .	250 VAC	250 VDC
<b>Relay max. power rating</b> . . . . .	2200 VA	30 W
<b>Mechanical life of relay</b> . . . . .	30 x 10 <sup>6</sup> operations	
<b>Electrical life of relay</b> . . . . .	2 x 10 <sup>5</sup> operations at 2200 VA resistive load	
<b>Operating temperature</b> . . . . .	+14°F to +140°F	-10°C to +60°C
<b>Weight</b> . . . . .	7 oz. (200g)	

DWRS	11	12	14	R	S	T
LWRS	1	4	3	5	6	7
PWRS	1	2	8	3	4	5

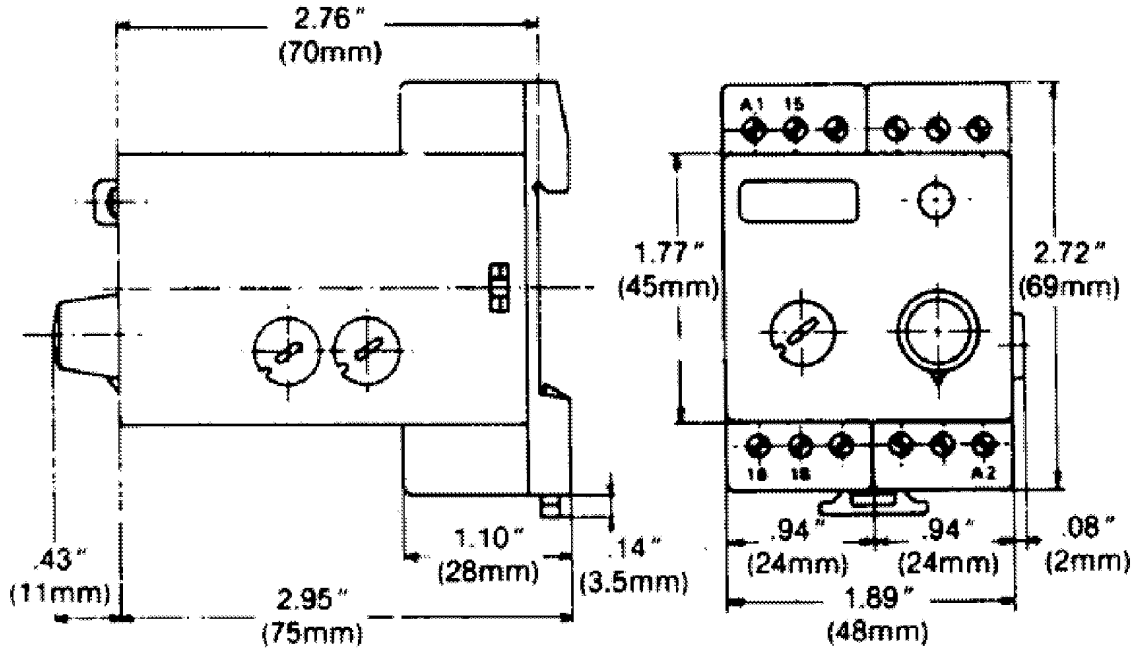
**ORDERING INFORMATION:**



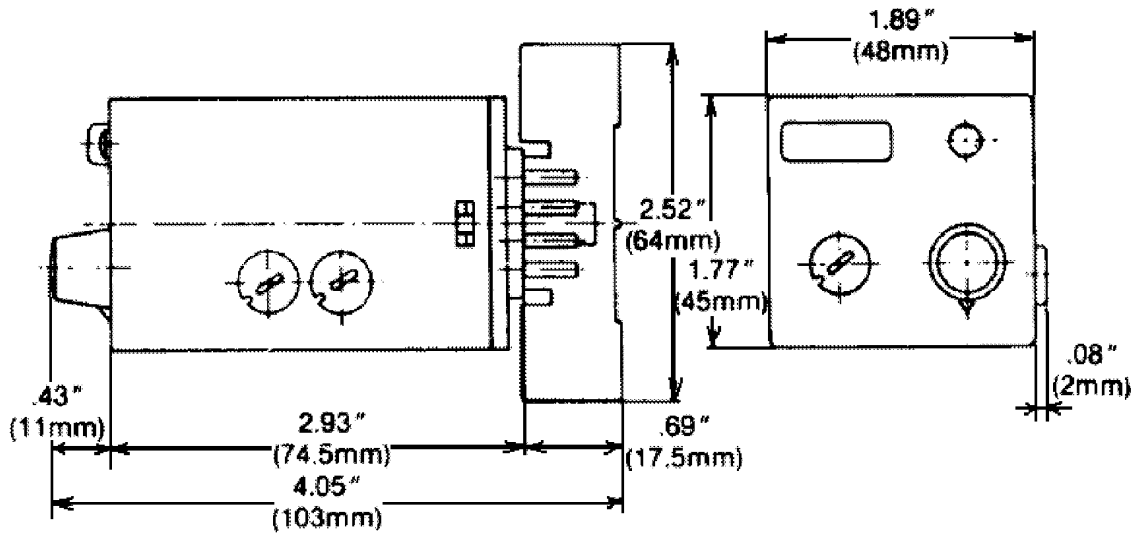
Products and specifications subject to change without notice.  
Consult factory for application assistance.

DIMENSIONS:

D - DIN-Rail



L & P - Sockets



Products and specifications subject to change without notice.  
Consult factory for application assistance.