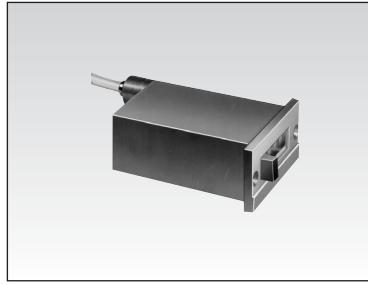


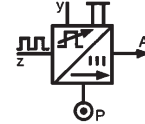
Pneumatic impulse counters



Part numbers

Totalizer	99 766 002	—
Preselection counter	—	89 538 201
Version	4 digits with manual zero reset	5 digits with manual or pneumatic zero reset

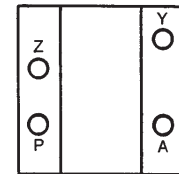
Symbol



Characteristics

Supply pressure	PSI (bar)	30 > 120 (2 > 8)	30 > 120 (2 > 8)
Dis-engagement pressure	PSI (bar)	< 2 (< 0.15)	< 2 (< 0.15)
Engagement pressure	PSI (bar)	> 12 (> 0.8)	> 12 (> 0.8)
Reset: Minimum pressure	PSI (bar)	30 (2)	30 (2)
Reset time	ms	150	150
Preselector output valve			•
Circuit pressure	PSI (bar)		30 > 120 (2 > 8)
Signal emitted when the preselector is reached			•
Operating temperature	°F (°C)	+32 > +140 (0 > +60)	+32 > +140 (0 > +60)
Weight	grams	48	136

Connection



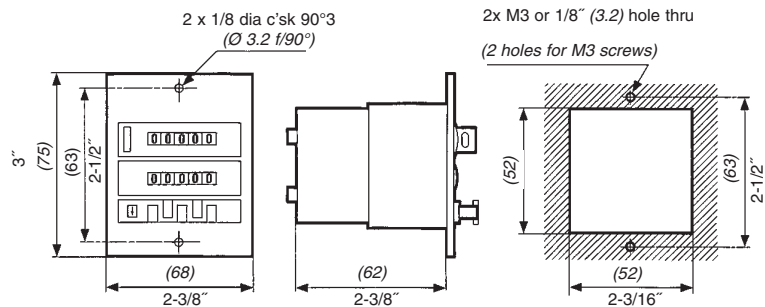
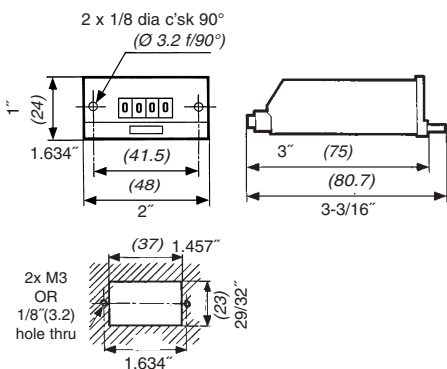
A - Output signal
P - Supply
Y - Reset to zero signal
Z - Input signal

Note: the count pulse must be removed before the reset pulse is applied. The preselected value can be changed during operation without the counter resetting to zero.

Dimensions

99 763 001 - 99 763 002

89 538 201



Other information	To order, specify:
	<p>Standard products</p> <p>1 Part number</p> <p>Example : Pneumatic impulse counter - 99 766 002</p> <p>Standard products, non stocked</p>

Products and specifications subject to change without notice.

Order/Technical Support – Tel: (800) 677-5311 / FAX: (800) 677-3865 / www.crouzet-usa.com