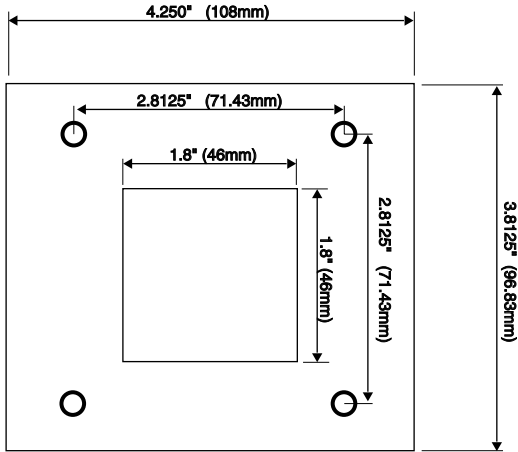


**Accessories For M/G Series  
(48 x 48mm Timers)**

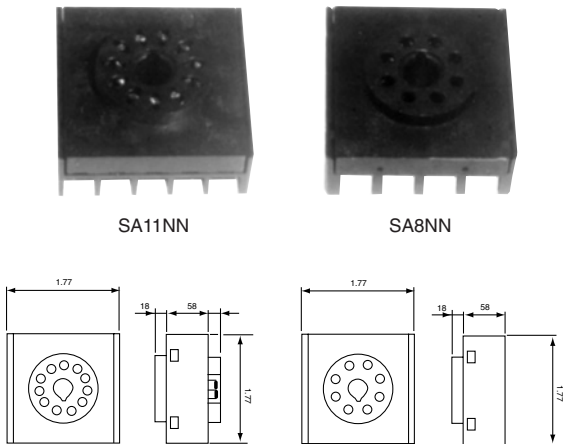
**1032 - Retrofit Panel Plate**



The 1032 panel plate has been designed for use with the M/G/F AXR2, MGF 813 & 11614 Series.  
It will retrofit:  
ATC 366, 353, 336, 335, 334, 333 & 310 Series  
Eagle CX 300, CT 540, CT 51, CT 530, CD300  
HP 5, HP 4, BR 4, CE 500 & H2170



**SA8 & SA11 - Back connecting Socket**



**831 - Hard Protective Cover (NEMA 4)**



Products and specifications subject to change without notice.  
Consult factory for application assistance.