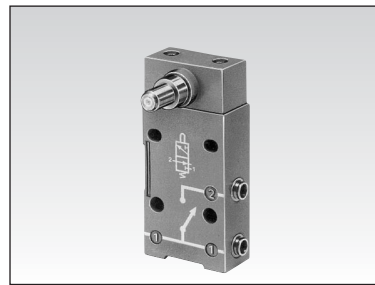
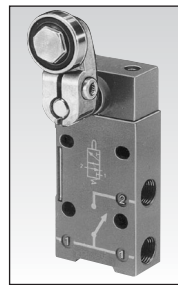


# "Compact" series position detectors

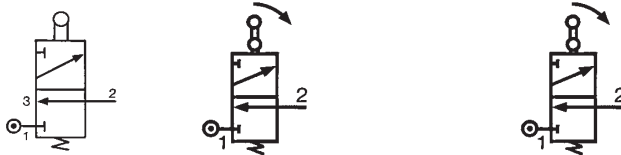


1

## Part numbers

| Features | Direct acting<br><b>81 922 401</b>    | Rotary actuator<br><b>81 922 205</b>             | Rotary actuator<br><b>81 922 010</b>   | Rotary actuator<br><b>81 922 210</b>   |
|----------|---------------------------------------|--|--|--|
| Version  | Roller plunger with unthreaded barrel | Right-hand rotary head with roller lever (CNOMO) | Programmable rotary head without lever | Programmable rotary head without lever |

## Symbol



## Characteristics

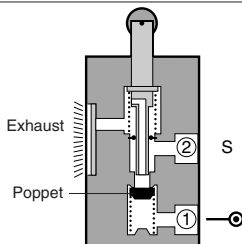
|                                       | BSP   |                          | —                 | 1/8               | —                 | 1/8               |
|---------------------------------------|---|--------------------------|-------------------|-------------------|-------------------|-------------------|
| Connection                            | push-in for semi-rigid tubing O.D.(NFE 49100) | inches (mm)              | 5/32" (4)         | —                 | 5/32" (4)         | —                 |
| Operating pressure                    |   | psi (bar)                | 2 > 120 (0.1>8)   | 2 > 120 (0.1>8)   | 2 > 120 (0.1>8)   | 2 > 120 (0.1>8)   |
| Bore diameter                         |   | inches (mm)              | 0.118 (3)         | 0.118 (3)         | 0.118 (3)         | 0.118 (3)         |
| Flow at 90 psi (6 bars)               |   | cfm (Nm <sup>3</sup> /h) | 7 (12)            | 7 (12)            | 7 (12)            | 7 (12)            |
| Activation force at 90 psi (6 bars)   |   | oz (daN)                 | 90 (2.5)          | 90 (2.5)          | 90 (2.5)          | 90 (2.5)          |
| Circuit function: NC                  |   |                          | ●                 | ●                 | ●                 | ●                 |
| Mechanical life                       |   | operations               | 10 million        | 10 million        | 10 million        | 10 million        |
| Silenced or connectable (1/8) exhaust |   |                          | ●                 | ●                 | ●                 | ●                 |
| Operating temperature                 |   | °F (°C)                  | +20>+120 (-5>+50) | +20>+120 (-5>+50) | +20>+120 (-5>+50) | +20>+120 (-5>+50) |
| Weight                                |   | (grams)                  | 150               | 193               | 175               | 175               |

## Accessories

| Accessories                  |         |                   | — | ● | ● | ● |
|------------------------------|---------|-------------------|---|---|---|---|
| Lever with roller            | plastic | <b>79 452 103</b> | — | ● | ● | ● |
|                              | bearing | <b>79 452 104</b> | — | ● | ● | ● |
| Lever with adjustable roller | plastic | <b>79 452 123</b> | — | ● | ● | ● |
|                              | bearing | <b>79 452 124</b> | — | ● | ● | ● |
| Adjustable steel rod lever   |         | <b>79 452 133</b> | — | ● | ● | ● |

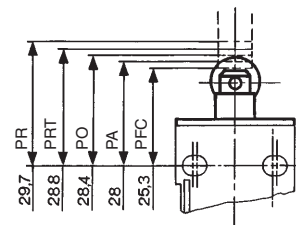
2

## Principle of operation



## Vertical attack

Detectors with roller plunger with unthreaded barrel.

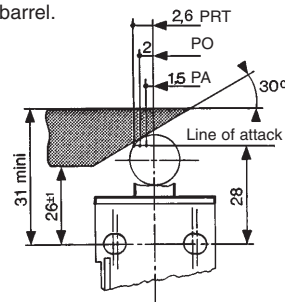


### Actuation positions :

- PA : Operating position (max output kV)
- PFC : End of travel position
- PO : Mid-position closed (no exhaust, no outlet)
- PRT : Release position (max exhaust kV)
- PR : Rest position

## Horizontal attack

Detectors with roller plunger with unthreaded barrel.



## Other information

The detectors 81 922 010 and 81 922 210 can operate to both left and right.

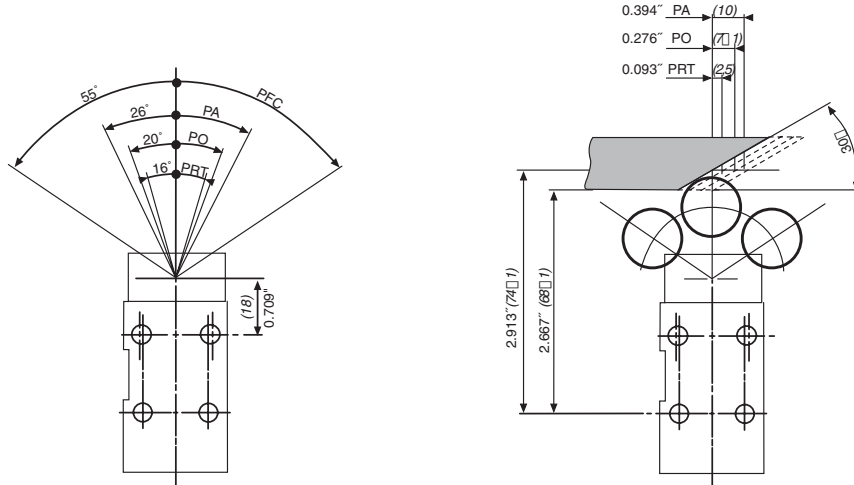
Products and specifications subject to change without notice.

Order/Technical Support – Tel: (800) 677-5311 / FAX: (800) 677-3865 / [www.crouzet-usa.com](http://www.crouzet-usa.com)

**Rotary actuator**

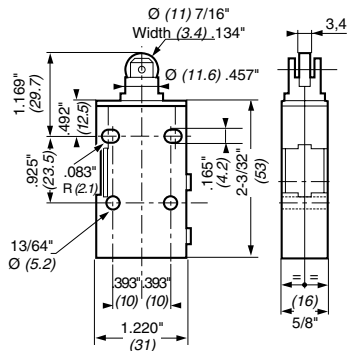
Detectors with levers

81 922 - 81 922 0 - 81 922 2

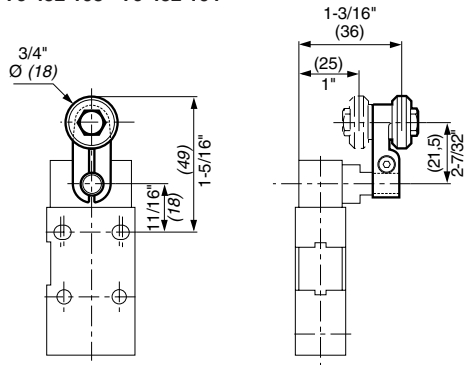


**Dimensions**

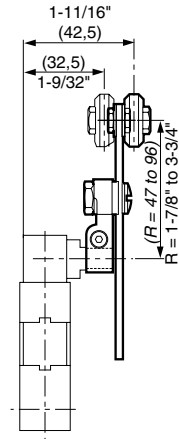
81 922 401



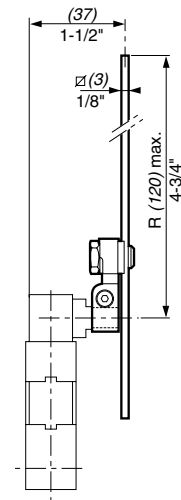
81 922 205 - 81 922 0 - 81 922 2  
79 452 103 - 79 452 104



79 452 123 - 79 452 124



79 452 133



Use (metric) dimensions for critical data.

**To order, specify :**

Standard products

Standard products,  
non stocked

**1**

Part number

**2**

Accessory

Example : "Compact" series position detectors 81 922 010 - Lever with plastic roller 79 452 103

Products and specifications subject to change without notice.

Order/Technical Support – Tel: (800) 677-5311 / FAX: (800) 677-3865 / www.crouzet-usa.com

