

Features:

- ◇ Low-cost
- ◇ Ultra compact flat design
- ◇ Less than .25" deep
- ◇ 3½ digits with high-contrast LCD

Specifications:

Display:	Digits:	3 ½ digits (±1999 counts)
	Type:	0.5" (13mm) 7 segment reflective LCD
	Digit Height:	.50" (12.7mm)
	Polarity Indication:	automatic, "-" displayed
	Annunciators:	"LoBat" when power <7.2 VDC
	Decimal Points:	3 position, user selectable
	Overrange:	three lower order digits blank for inputs >1999 & < -1999
Inputs:	Ranges:	±200.0mV, ±2.000V, ±20.00V DC
	Configuration:	true differential input and reference
	Protection:	250 VDC or 150 V RMS continuous, 300 V intermittent max
	Impedance:	>100 MΩ on ± 200mV ; (>1 MΩ on 2V & 20V range)
	Bias Current:	1 pA typical, 10 pA max
Performance:	Accuracy:	±(0.1% fs + 2 count) with +5 and ± 5 V power ±(0.1% rgd + 1 count) with 9 V power
	Conversion Rate:	2.5 per second
	Normal Mode Rejection:	>30 dB @ 60 Hz
	Common Mode Range:	±1 VDC max
	Common Mode Rej.:	>86 dB
	Zero Adjustment:	automatic
	Warmup:	10 min typical
	Temperature Coefficient:	±100 ppm per °C typical
Environment:	Operating Range:	0 to 50 °C
	Storage Range:	-10 to 60 °C
	Relative Humidity:	0 to 95% non-condensing
Power Supply:	9V powered:	9 V isolated, 7.2-12 V at 150 µA
	+5V DC:	5 V ±5% at 3 mA
Mounting:		panel hole mounting, standard bezel mount (optional)
	Dimensions:	2.37 x 1.50 x .32
	Panel Cutout:	1.89 x .66
	Weight:	0.9 oz (25 g)
Connection:		13 pins, 0.025" square - pin 3 missing
		15 solder pads

Ordering Information:

15 pads

PART NUMBER	METER INPUT	METER POWER
DK171	200mV	9V
DK172	2V	9V
DK173	20V	9V

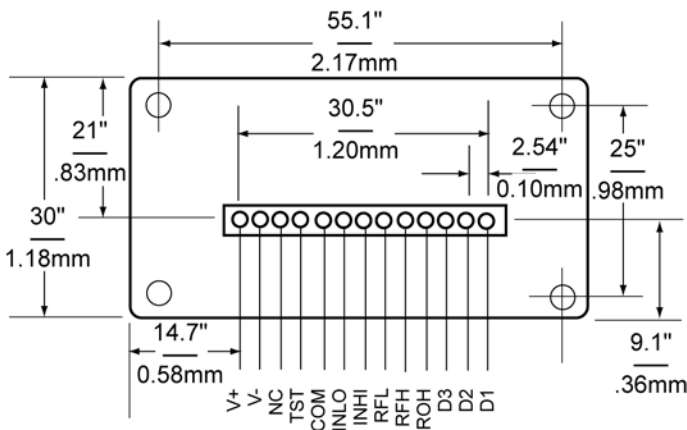
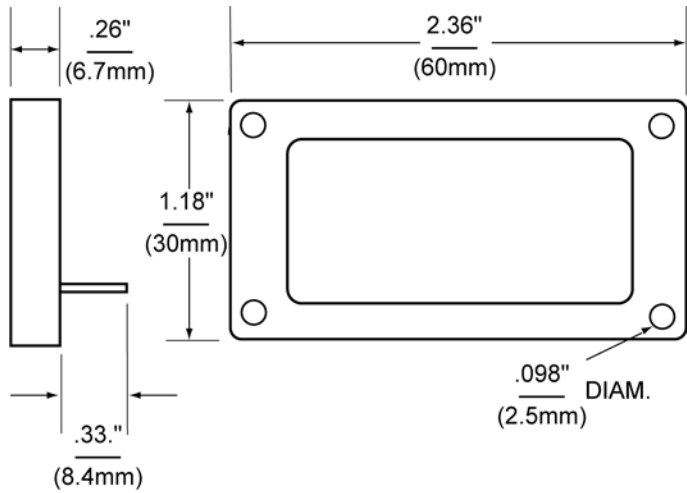
13-pins

PART NUMBER	METER INPUT	METER POWER
DK174	200mV	9V
DK175	2V	9V
DK176	20V	9V
DK177	200mV	+5VDC
DK178	2V	+5VDC
DK179	20V	+5VDC

B-1B	Bezel Mounting Kit
J1C13	13 Pin Connector / Wire Assembly
PW2-5	Regulated 120V AC to 5V DC Power Supply
PW2-12	Regulated 120V AC to 12V DC Power Supply
PW1.0	24V AC to adjustable DC output
CPW1.5	24V AC to adjustable DC output
CVC	Calibrator

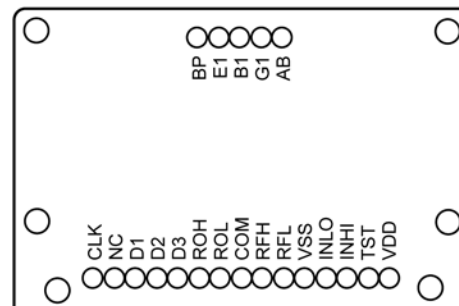
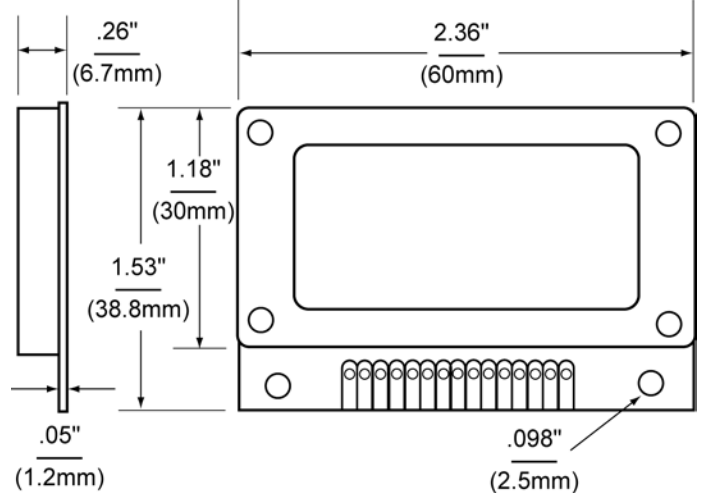
Dimensions

13 PINS



NOTE: DO NOT SOLDER TO PINS

15 PADS



NOTE:
DIM. = inches
(2.5mm)

BEZEL MOUNTING

