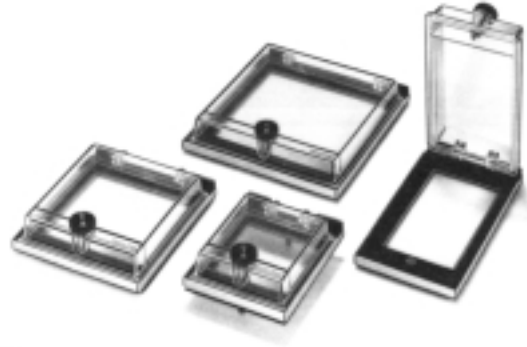


Watertight Panel Covers

Y92A-N

Covers Meet NEMA 4 Requirements for Hose-down Protection of Panel Mounted Devices

- Ideal for food processing/preparation machines and other control panels exposed to wash-down
- Four sizes available: 1/16 DIN, 1/8 DIN, 1/4 DIN and 72 x 72 mm
- Conforms to NEMA 4 and IP66



Ordering Information

Device face size	1/4 DIN (96 x 96 mm)	72 x 72 mm	1/8 DIN (96 x 48 mm)	1/16 DIN (48 x 48 mm)
Part number	Y92A-96N	Y92A-72N	Y92A-49N	Y92A-48N

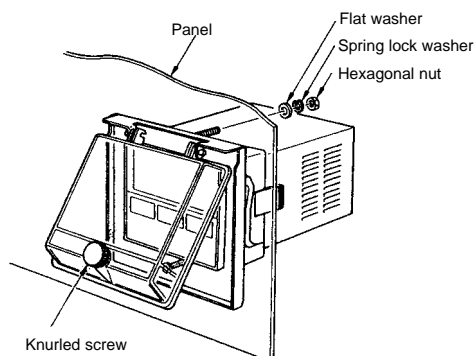
Specifications

Part number		Y92A-96N	Y92A-72N	Y92A-49N	Y92A-48N
Applicable products	Temperature display	—	—	K3TL	—
	Temperature controller	E5AJ, E5ZD-SDL□	—	E5EJ	E5CJ, E5CS-X, E5C4, E5C2
	Process controllers	E5AK, E5AK-T	—	E5EK, E5EK-T, E5EK-DRT	E5CK, E5CK-T
Materials	Front cover	94V-2 polycarbonate			
	Gasket	Chloroprene rubber			
	Panel	304 stainless steel			

Nomenclature

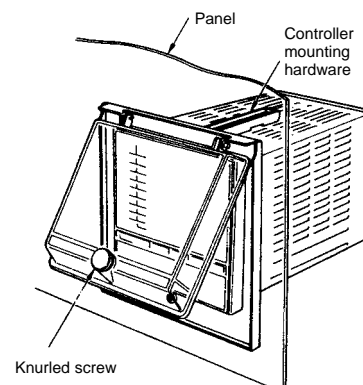
■ COVER Y92A-48N

1/16 DIN



■ COVERS Y92A-96N, Y92A-72N, Y92A-49N

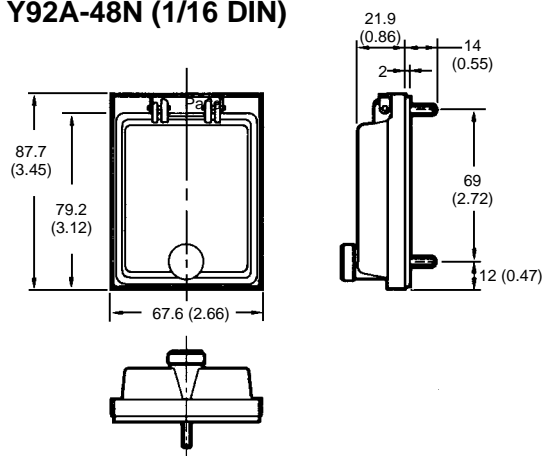
1/4 DIN, 72 x 72 mm, 1/8 DIN



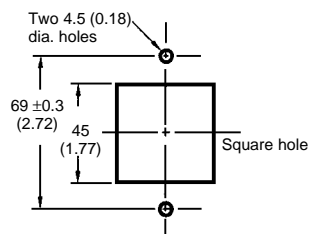
Dimensions

Unit: mm (inch)

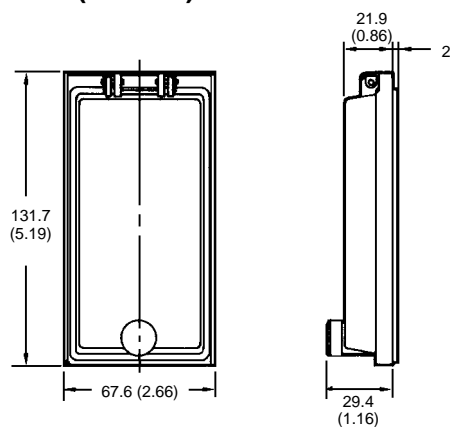
■ Y92A-48N (1/16 DIN)



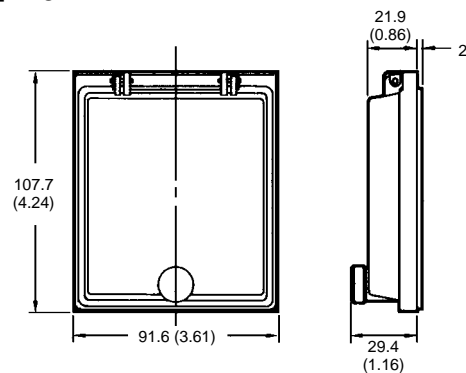
Panel cutout



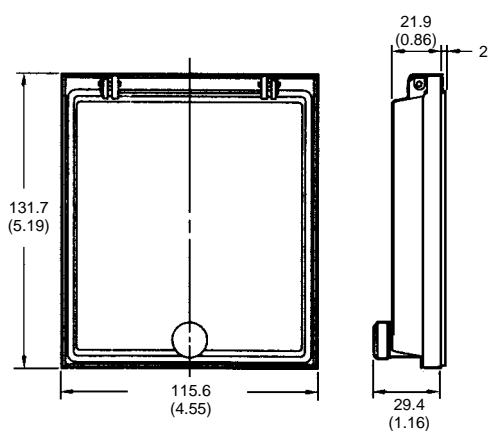
■ Y92A-49N (1/8 DIN)



■ Y92A-72N



■ Y92A-96N (1/4 DIN)



OMRON®
OMRON ELECTRONICS, INC.
One East Commerce Drive
Schaumburg, IL 60173
1-800-55-OMRON

OMRON CANADA, INC.
885 Milner Avenue
Scarborough, Ontario M1B 5V8
416-286-6465