

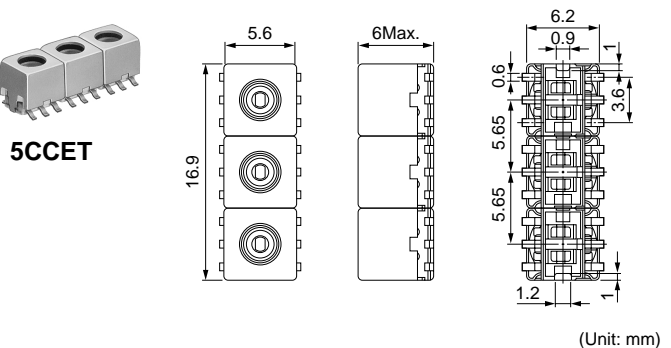
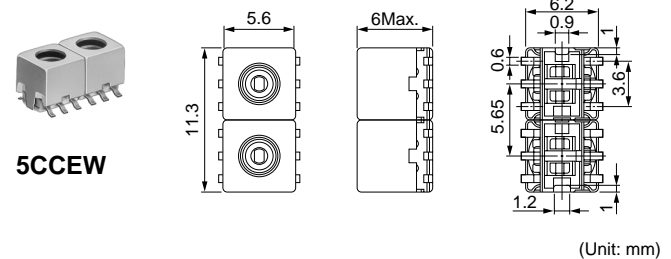
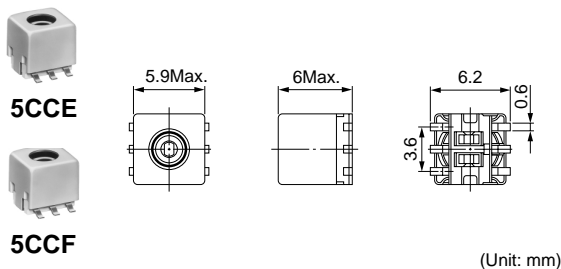
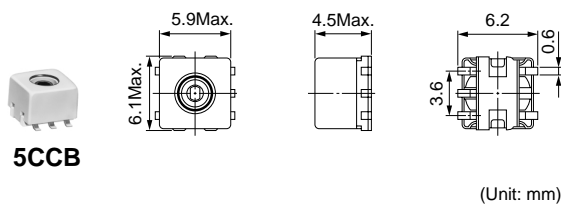
TYPE 5CCB, 5CCE, 5CCF, 5CCEW, 5CCET

For Reflow Soldering

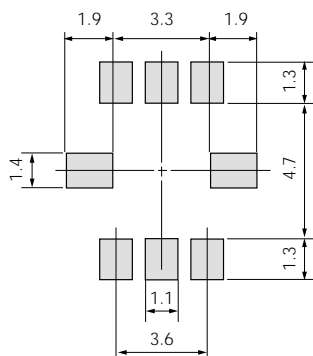
	5CCB	5CCE	5CCF
Frequency Range:	10~150MHz	10~150MHz	10~150MHz
Inductance Range:	0.03~10 μ H	0.05~2.7 μ H	0.03~30 μ H
Q Approx.:	50 (at 100MHz)	70 (at 100MHz)	50 (at 100MHz)

5CCEW/5CCET

Frequency Range:	10~200MHz
Q Approx.:	60 (at 100MHz)
Input/Output Impedance:	50 Ω (Standard)



Recommended Patterns for
SMT 5CCB, 5CCE, 5CCF Coils.
5CCB, 5CCE, 5CCF Coils 面実装用推奨パターン



Features

- Can take up to two built-in capacitors (3~510 pF).
- Three units may be mounted in series allowing use in VHF range bandpass or lowpass filter design.
- Ideal for high-density mounting in a wide range of compact equipment.

特長

- コンデンサが2個まで内蔵可能 (3~510pF)
- 3個まで連結できますので、VHF領域におけるバンドパス、ローパスなどのフィルタとして設計可能
- 各種小型機器の高密度実装化に最適

continued on next page
次頁へ続く

continued from previous page
 前頁より続く

SELECTION GUIDE FOR STANDARD COILS

TYPE 5CCE						
東光品番	インダクタンス & 可変範囲	Q	測定周波数	直流抵抗(参考値)	自己共振周波数(参考値)	
TOKO Part Number	Inductance L (nH) & Adjustable Range ± (%)	Q	Test Frequency (MHz)	DC Resistance (Ω) Max. (Ref. only)	Self-resonant Frequency (MHz) Min. (Ref. only)	
A638AN-0150Z	68 ± 5%	60 ± 20%	100	0.15	580	
A638AN-0151Z	82 ± 5%	63 ± 20%	100	0.29	580	
A638AN-0152Z	100 ± 5%	65 ± 20%	100	0.18	580	
A638AN-0153Z	120 ± 5%	68 ± 20%	100	0.20	580	
A638AN-0154Z	150 ± 5%	63 ± 20%	100	0.29	487	
A638AN-0155Z	180 ± 5%	73 ± 20%	100	0.22	443	
A638AN-0156Z	220 ± 5%	60 ± 20%	100	0.36	354	
A638AN-0157Z	270 ± 5%	72 ± 20%	80	0.26	270	
A638AN-0158Z	330 ± 5%	75 ± 20%	80	0.55	273	
A638AN-0159Z	390 ± 5%	68 ± 20%	80	0.46	230	
A638AN-0160Z	470 ± 5%	67 ± 20%	60	0.48	207	
A638AN-0161Z	560 ± 5%	68 ± 20%	60	0.52	180	
A638AN-0162Z	680 ± 5%	50 ± 20%	30	0.67	170	
A638AN-0163Z	820 ± 5%	48 ± 20%	30	0.73	155	
A638AN-0164Z	1000 ± 5%	50 ± 20%	30	1.04	136	
A638AN-0165Z	1200 ± 5%	48 ± 20%	30	1.12	113	
A638AN-0166Z	1500 ± 5%	48 ± 20%	30	1.26	110	
A638AN-0167Z	1800 ± 5%	47 ± 20%	30	0.36	105	
A638AN-0168Z	2200 ± 5%	47 ± 20%	30	2.00	100	