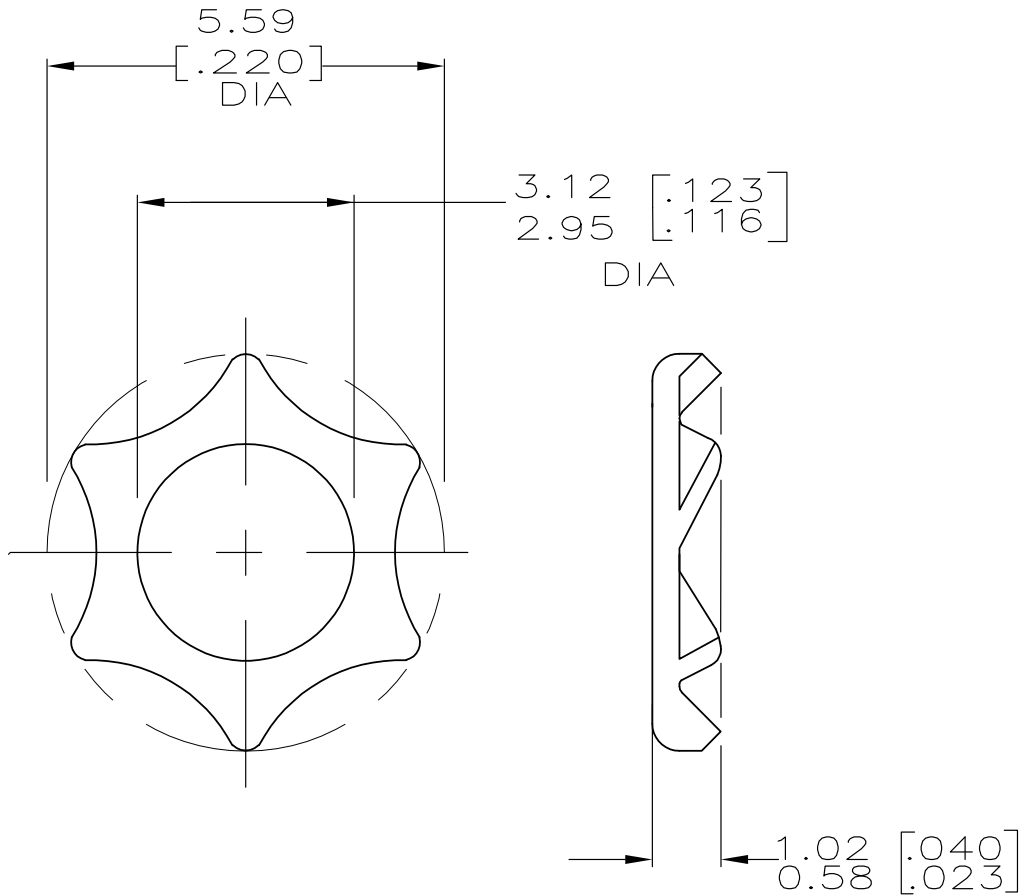


LOC	DIST	REVISIONS					
BD	39	P	LTR	DESCRIPTION	DATE	DWN	APVD
			C1	REVISED EPR ECO-11-001363	21JAN11	HMR	MG

1 ACTUAL CONFIGURATION OF WASHER MAY VARY

2 STAINLESS STEEL PER QQ-S-766



THIS DRAWING IS UNPUBLISHED.
 ALL INTERNATIONAL RIGHTS RESERVED.
 BY TYCO ELECTRONICS CORPORATION.

200503-1
PART NO

DIMENSIONS: mm [INCHES]	DWN	R.SHIREY	07/24/90	MATERIAL	2	FINISH	PASSIVATED
	CHK	R.STONE	8-14-90	Tyco Electronics Corporation Harrisburg, PA 17105-3608			
TOLERANCES UNLESS OTHERWISE SPECIFIED: 0 PLC ± - 1 PLC ± - 2 PLC ± 0.13 [.005] 3 PLC ± - 4 PLC ± - ANGLES ± -	APVD	A.BOULLIANNE	8-14-90	NAME			
	PRODUCT SPEC	LOCK WASHER, EXTERNAL, NARROW-RIM, M SERIES					
	APPLICATION SPEC	SIZE CAGE CODE DRAWING NO RESTRICTED TO					
	WEIGHT	-		A4	00779	C-200503	-
				CUSTOMER DRAWING		SCALE	10:1 SHEET 1 OF 1 REV C1