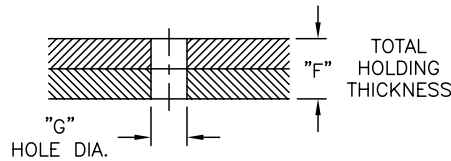
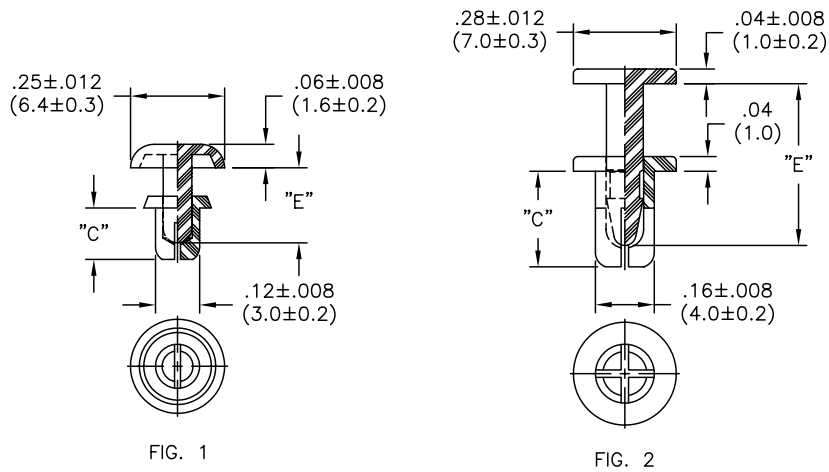


PART NO.	HOLE DIA. "G"	THICKNESS "F"	"C"±.012 (±0.3)	"E"±.012 (±0.3)	FIG. NO.
SRP-3045	.122-.126 (3.1-3.2)	.059-.098 (1.5-2.5)	.18 (4.5)	.24 (6.1)	1
SRP-3055		.098-.138 (2.5-3.5)	.22 (5.5)		
SRP-4065	.157-.165 (4.0-4.2)	.138-.177 (3.5-4.5)	.26 (6.5)	.43 (11.0)	2



- NOTES:
 1. MATERIAL: POLYSULFONE (RMS-51A).
 2. COLOR: BLACK.

TITLE: SNAP RIVET, P TYPE		DWG IN IN (MM)	FINAL	PR
TOLERANCES UNLESS NOTED .XX=±.010 .XXX=±.005 FRAC=±1/64 ANG=±1°	FILE # SRP MAT'L: SEE NOTES RE: RICHCO, INC.	DWN: P.B. DT: 07-14-94	APP: DT:	PART # SEE TABLE
B ADDED TOLERANCES; RMS-51A WAS RMS-51 (ECN #464) SM 09.17.02	A CORRECTED PER CATALOG & CHANGED FILE NO. SM 02.21.02	RICHCO INC. PO BOX 804238, CHICAGO, 60680 (773) 539-4060		PRINT TYPE CA
REV	DESCRIPTION	ENGR	DATE	