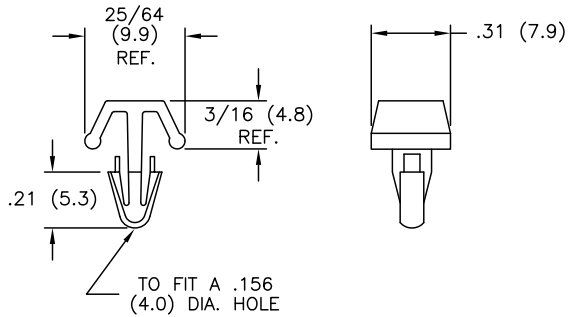
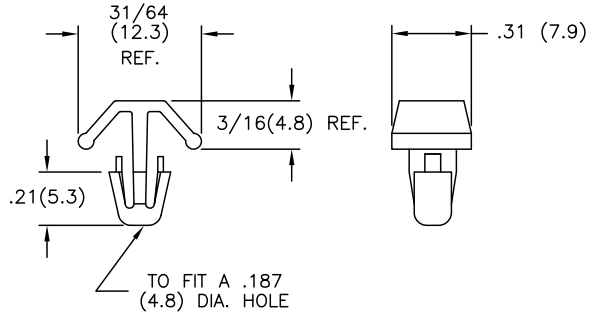


PART NUMBER		"T" RECOMMENDED
MB-1-156	MB-1-187	1/32-3/32 (0.8-2.4)
MB-3-156	MB-3-187	3/32-5/32 (2.4-4.0)
MB-5-156	MB-5-187	5/32-7/32 (4.0-5.6)
MB-7-156	MB-7-187	7/32-9/32 (5.6-7.1)
MB-9-156	MB-9-187	9/32-11/32 (7.1-8.7)
MB-11-156	MB-11-187	11/32-13/32 (8.7-10.3)
MB-13-156	MB-13-187	13/32-15/32 (10.3-11.9)
MB-15-156	MB-15-187	15/32-17/32 (11.9-13.5)
MB-17-156	MB-17-187	17/32-19/32 (13.5-15.1)



P/N MB-156



P/N MB-187

NOTES:

- MATERIAL: NYLON 6/6 (RMS-01).
FLAME RETARDANT, NYLON (RMS-19),
AVAILABLE BY SPECIAL ORDER ONLY.
- COLOR: NATURAL.

TITLE: MOUNTING BUTTON			DWG IN IN (MM)		FINAL	PRINT TYPE
E	SEE CO 200191 FOR CHANGES	SK 05.23.08	FILE # MB	DWN: R.S.		
D	SEE CO 200154 FOR CHANGES	SK 04.07.08	MAT'L: SEE NOTES	DT: 11-10-93	DT:	
C	CHANGED FILE NO. AND TITLE BLOCK	SM 05.17.01	RE: RICHCO, INC.	RICHCO INC. PO BOX 804238, CHICAGO, 60680 (773) 539-4060		
B	MAT'L RMS-19 ADDED.	J.L. 7.9.98				
A	CHANGED CHART TO PANEL RANGE	JB 08.15.96				
REV	DESCRIPTION	ENGR DATE				CA