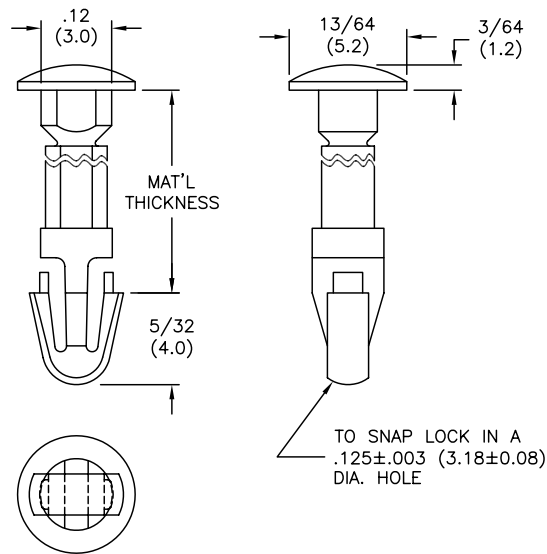


PART NO.	MAT'L THK'NESS MAXIMUM
SLPA125-187-01	.187 (4.7)
SLPA125-250-01	.250 (6.4)
SLPA125-312-01	.312 (7.9)
SLPA125-375-01	.375 (9.5)
SLPA125-500-01	.500 (12.7)
SLPA125-625-01	.625 (15.9)
SLPA125-750-01	.750 (19.1)



- NOTE:
- MAT'L: NYLON 6/6 (RMS-01).
FLAME RETARDANT, NYLON (RMS-19),
AVAILABLE BY SPECIAL ORDER ONLY.
 - COLOR: NATURAL.

B		SM		FILE #		DWN:		APP:		DWG IN		PR
A		J.L.		MAT'L:		DT:		DT:		IN (MM)		
ADDED NYLON 6/6; CHANGED FILE NO.		02.21.02		SLPA125		J.B.				FINAL		SEE TABLE
MAT'L RMS-19 ADDED		8.13.99		SEE NOTES		12-05-95						
REVISION		DESCRIPTION		ENGR		DATE		RE:		PART #		
								RICHCO, INC.		RICHCO INC.		
								PO BOX 804238, CHICAGO, 60680		(773) 539-4060		