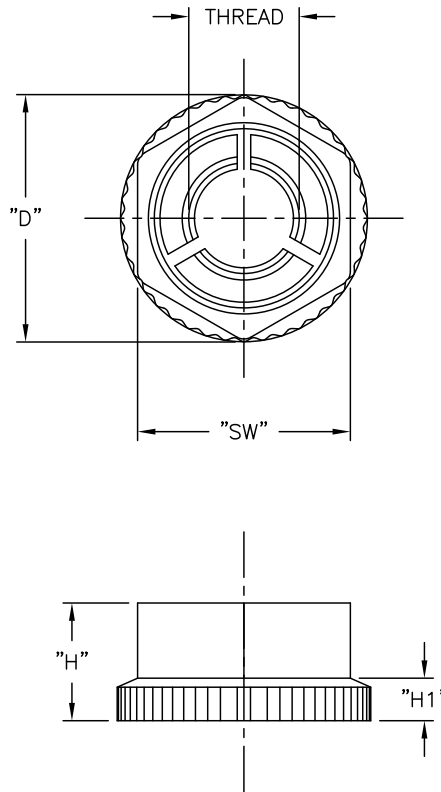


PART NUMBER	THREAD	SW	D	H	H1
KNF-30	M3	.28(7)	.32(8.2)	.15(4.0)	.06(1.5)
KNF-40	M4	.32(8)	.37(9.4)	.19(4.7)	.06(1.5)



NOTES:  
 1. MATERIAL: NYLON 6/6 UL 94 V-2, (RMS-48).  
 2. COLOR: BLACK.

TITLE: KWIK NUT FASTENER		DWG IN IN(MM)		FINAL		PR	
TOLERANCES UNLESS NOTED .XX=±.010 .XXX=±.005 FRAC=±1/64 ANG=±1°		FILE # KNF-SERIES	DWN: E.P.	APP:	PART #		PRINT TYPE
MAT'L: SEE NOTES		RE: RICHCO INC.	DT: 11/20/98	DT:	KNF-SERIES		CA
REV DESCRIPTION ENGR DATE		RICHCO INC. PO BOX 804238, CHICAGO, 60680 (773) 539-4060					