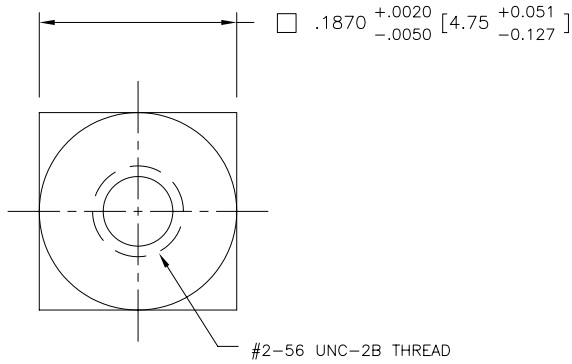


PRODUCT NO.	NOTES
71226-001	-
71226-001LF	NOTE 2

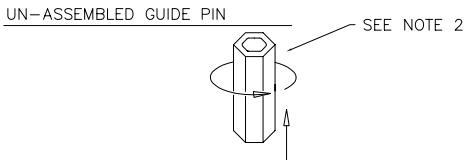
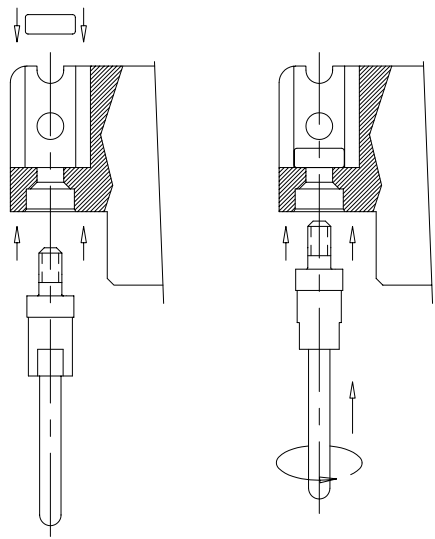


NOTES:

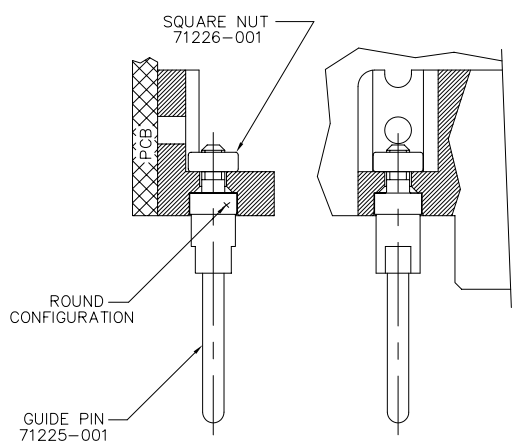
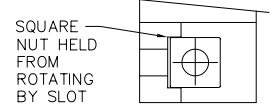
- 1. MATERIAL: 416 STAINLESS STEEL.
- 2. THIS PRODUCT MEETS EUROPEAN UNION DIRECTIVES AND OTHER COUNTRY REGULATIONS AS DESCRIBED IN GS-22-008.

mat'l. code		surface	tolerance	projection	product family
ltr	ecn no	ISO 1302	ISO 406		HPC
A	V50947	GAH	8/8/95	XX±.01/3	title
B	V60758	SAR	6/18/96	linear .XXX±.005/13	NUT, SQUARE #2-56
C	V00558	LSS	3/3/00	0°±2'	scale 1:1
D	V05-0697	DAI	8/18/05	dr G. HULL 8/8/95	dwg no
E	M06-0265	AGS	7/10/06	enrg D. HORCHLER 7/25/95	sheet 1 of 2
				chr D. HORCHLER 8/9/95	71226
				appd S. CLARK 8/10/95	size A3
					type Product Customer Drawing

PRODUCT NO.
SEE SHT. 1



ASSEMBLY NOTE:
AFTER CONNECTOR IS ON PCB,
INSERT THE SQUARE NUT, AND
THEN SCREW IN THE GUIDE PIN



- NOTE:
1. MATERIAL: 416 STAINLESS STEEL.
 2. RECOMMENDED INSTALLATION TOOL: P/N 166769-001 (FOR USE IN 1/4" HEX DRIVE).
 3. DRAWING 71225 IS A RECEPTACLE MOUNTED MALE GUIDE PIN

mat'l. code		surface	tolerance	projection	product family
ISO 1302		ISO 406	ISO 1101	HPC	title
tolerances unless otherwise specified		.XX±.01/.3			
ltr	ecn	no	dr	date	NUT, SQUARE #2-56
E					
angles		linear		scale 1:1	
0°±2'		.XXXX±.0020/.051		FCJ	
dr	G. HULL	8/8/95	enrg	D. HORCHLER	7/25/95
chr	D. HORCHLER	8/9/95	appd	S. CLARK	8/10/95
sheet index	revision sheet			sheet 2 of 2 size A3	
				type Product Customer Drawing	