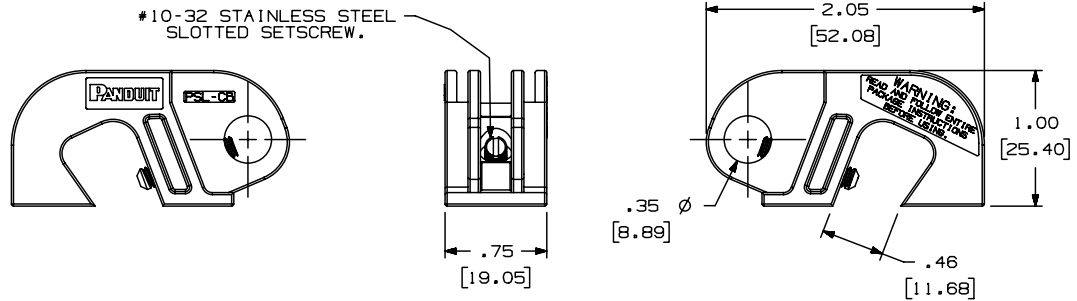


THIS COPY IS PROVIDED ON A RESTRICTED BASIS AND IS NOT TO BE USED IN ANY WAY DETRIMENTAL TO THE INTERESTS OF PANDUIT CORP.



NOTES:
1. MILLIMETERS ARE SHOWN IN BRACKETS.

CAD FILENAME/LAYERS 100619BA_C10158_psl-cb_00.prt

							PANDUIT		CORP. TINLEY PARK, ILLINOIS			
							PSL-CB CIRCUIT BREAKER LOCKOUT					
							UNLESS OTHERWISE SPECIFIED, DIMENSIONAL TOLERANCES ARE: (.X) ± (.XXX) ± (.XX) ± .015 ANGLES ±			UNLESS OTHERWISE SPECIFIED, ALL DIMENSIONS ARE GIVEN IN INCHES, THIRD ANGLE PROJECTION.		
							DRAWN BY RVU		MAT'L: RED NYLON		SCALE NTS	
							DATE 11-25-03		DRAWING NO. C10158		DWG SIZE A	
							GR'D					
REV	DATE	BY	CHK	DESCRIPTION	ECN	R	CUST	SUP				
R	11-25-03	RVU		DRAWING RELEASE	3472	R						