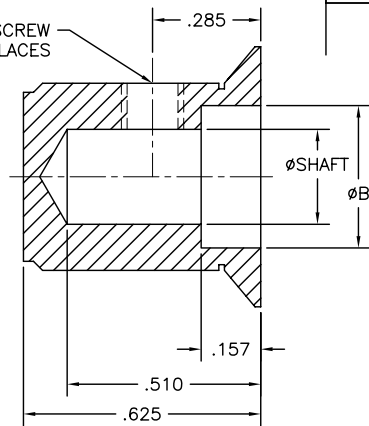


6-32 SET SCREW  
2 PLACES



REVISIONS				
ZONE	REV	DESCRIPTION	DATE	APPROVED

MODEL	A	B	C	COLOR CHOICE	SHAFT
50	.500	.375	.685	1 - CLEAR GLOSS	5 - .250
63	.625	.500	.875	2 - BLACK GLOSS	6 - .125
75	.750	.590	1.000	3 - CLEAR MATTE	7 - 6MM
90	.925	.708	1.250	4 - BLACK MATTE	

UNLESS OTHERWISE SPECIFIED:

DIMENSIONS ARE IN INCHES

TOLERANCES

X = ±.03

XX = ±.01

XXX = ±.005

ANGLES = ±.5°

BREAK ALL SHARP EDGES .010-.020

ALL SMALL FILLETS .020 - .040

ALL FINISHED SURFACES 125/

DO NOT SCALE DRAWING

KILO INTERNATIONAL PROPRIETARY

THIS DOCUMENT AND THE DATA  
DISCLOSED HEREIN OR HEREWITH  
IS NOT TO BE REPRODUCED,  
USED OR DISCLOSED IN WHOLE  
OR IN PART TO ANYONE WITHOUT  
WRITTEN PERMISSION OF  
KILLO INTERNATIONAL

**KILO**  
**INTERNATIONAL**

1952 IRVINGTON BOULEVARD  
P.O. BOX 51005  
PROVO, UTAH 84606 USA  
WWW.KILOINTERNATIONAL.COM

DRAWN K FOWLER	DATE 03/05	SIZE B	FSCM NO.	DWG NO. SC-0002	REV A
APPROVED C JOHNSON	03/05	SCALE: 4/1	TITLE SC CATALOG	SHEET 1 OF 1	