

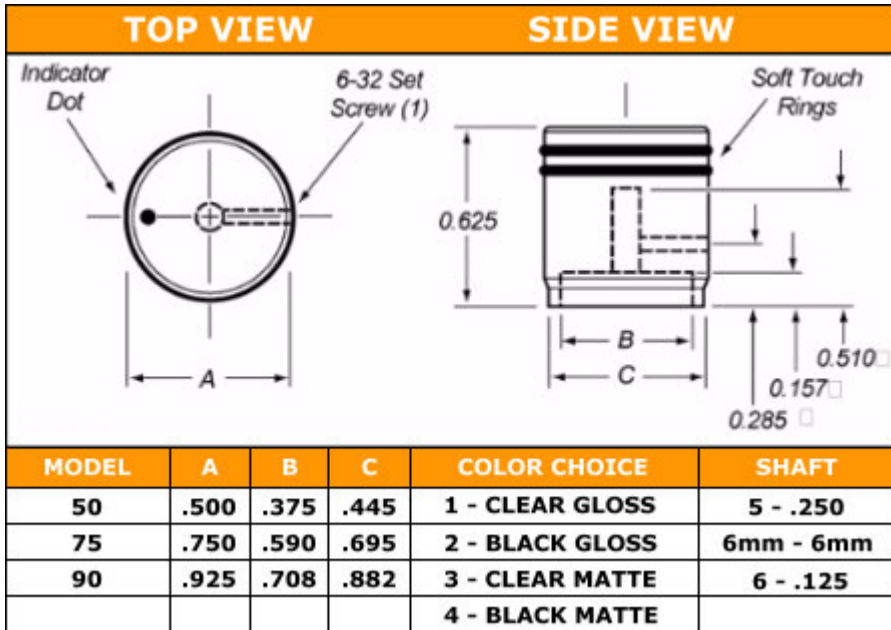
ML SERIES



ML90 - Black Gloss, ML75 - Black Matte & Clear Gloss, ML50 - Clear Matte

ML Series: Two exclusive "soft-touch" rings on the outside diameter of the "ML Series" knob, allows the user to "feel" the sensitive movement of this knob. Indicator "dot" located on top of knob. Single 6-32 set screw.

Mechanical Specifications:



Copyright ©2003 Kilo International, Inc.

close